

VIP265V / VIP315V MULTIZONE

UK Instructions for use
FR Mode d'emploi
DE Bedienungsanleitung

IT Istruzioni per l'uso
ES Instrucciones para el uso

For your own safety and for the proper utilisation of the appliance, read this manual carefully, including the warnings and recommendations, before installing the appliance and using it for the first time. In order to avoid damage to the appliance and/or personal injury, persons using the appliance should be fully familiar with its operation and safety functions. Keep these recommendations close to the appliance, for future reference, and ensure that the document is transferred with the appliance, if it is sold or in the case of moving. This will ensure optimum operation of the appliance.

To avoid any risk of injury, keep this manual. The manufacturer declines any liability whatsoever in the case of operating/handling errors concerning the appliance.

Safety of children and other vulnerable persons

- This appliance may be used by children aged 8 years and above, and by persons who are physically, sensorially or mentally handicapped, or who have not learned to use the appliance, providing they are supervised by a person familiar with the appliance and who is aware of the risks involved. Children should not be allowed to play with the appliance. User cleaning and servicing operations should not be carried out by children, unless they are more than 8 years old and are supervised.
- Keep all packaging out of the reach of children, as there is a risk of suffocation.

- If you decide to scrap the appliance, disconnect it from the wall socket, cut the connection cable (as close to the appliance as possible) and remove the door, in order to prevent children playing with it, with the resulting risk of electric shock or being trapped inside.
- If an appliance with a magnetic door seal is being replaced by another appliance with a latch on the door or on the seal, ensure that the latch is disabled before selling or scrapping the old appliance. This will prevent the appliance from being transformed into a trap for children.
- Keep the appliance and its power cable out of reach of children less than 8 years old.

General safety

- CAUTION — This appliance is designed for home use.
- CAUTION — Never store inflammable substances, such as aerosols, inside the appliance, as they could leak or release fluids.
- CAUTION — A damaged power cable should be immediately replaced by the manufacturer or by a qualified retailer, in order to avoid any risk of electric shock.
- CAUTION — Keep the ventilation openings well open and ensure that air can circulate, especially if the appliance is recessed into a wall.
- CAUTION — Do not damage the refrigerating circuit.

- CAUTION — Do not use electrical appliances inside the compartment, unless they are tolerated by the manufacturer.
- CAUTION — The refrigerating and insulating systems contain inflammable gases. When the appliance is scrapped, it should be deposited at an accredited collection centre. Do not expose the appliance to fire.

Refrigerating fluid

The refrigerating circuit in the appliance uses refrigerating isobutane (R600a), which is a highly inflammable natural gas and is therefore dangerous for the environment. When transporting or installing the appliance, ensure that no element of the refrigerating circuit is damaged. The refrigerating fluid (R600a) is inflammable.

Caution: Fire risk

If the refrigerating circuit is damaged:

- Avoid open flames or any source of combustion.
- Ensure that the room in which the appliance is installed is well ventilated.

It is dangerous to change the specification of the appliance in any way whatsoever.

Damage to the power cable may cause a short circuit and/or electric shock.

Electrical safety

- We decline any liability in respect of incidents caused by poor electrical installation.
- Do not extend the power cable. Do not use an extension cable, or adapter, or multi-way socket.
- Check that the wall socket is not damaged. A wall socket in poor condition may cause the appliance to overheat and explode.
- Check that the wall socket used for the appliance is properly accessible.
- Never pull on the main power cable.
- Ensure that the appliance is always electrically earthed.
- If the wall socket is loose, do not connect the cable, as there is a risk of electric shock or fire.
- Do not use the appliance if the interior lighting cover is not installed.
- Disconnect the appliance before replacing the lighting bulb.
- The appliance operates on a single phase 220-240 V~ / 50 Hz power supply. The appliance must be connected to an earthed wall socket, in accordance with applicable recommendations.
- Do not attempt to replace a damaged power cable, contact your after-sales service.

- The power socket must be easily accessible but out of reach of children. In case of doubt, contact your installation technician.

Daily utilisation

Do not store inflammable substances or fluids inside the appliance. This would create a risk of explosion.

Do not operate other electrical equipment inside the appliance (mixers, whirling rotor for ice cream, etc.).

When disconnecting the appliance, grip the plug firmly and do not pull on the cable.

- Do not expose the appliance to direct sunlight.

Keep the appliance away from candles, luminaires and open flames, in order to avoid fire risk.

- This appliance is only designed to store wines and drinks.
- The appliance is heavy. Be careful when moving it.

If your appliance is equipped with castors, remember that these are only designed to facilitate minor movements. Do not move the appliance over long distances.

- Do not lean or climb on the appliance or its elements.

In order to avoid falling objects and to prevent damage to the appliance, do not overload the compartments of the appliance.

Caution! Cleaning and servicing

- Before carrying out servicing, switch off the power supply and disconnect the appliance.
- When cleaning the appliance, do not use metal objects, steam systems, volatile fluids, organic solvents or abrasive substances.
- Do not use sharp or pointed objects to remove ice. Use a plastic scraper.

Important information concerning installation!

- To ensure proper electrical connection, follow the recommendations given in the present manual.
- Unpack the appliance and visually check that it is not damaged. Do not connect a damaged appliance. Inform your retailer or point of sale of any damage. In such a case, keep the packaging.
- It is recommended that the appliance be allowed to settle for at least 4 hours before connecting the electrical power supply, so that the compressor fluid feed is correct.
- Proper air circulation is necessary to avoid overheating. To ensure sufficient ventilation, observe the installation recommendations provided.
- In order to avoid fire risk, wherever possible, ensure that the appliance is not in contact with walls or with any hot element (compressor, condenser). Observe the installation recommendations.

- The appliance should not be placed close to radiators or cooking hot plates or gas rings.
- Check that electrical sockets remain accessible when the appliance is installed.

POWER SAVING

To limit the electricity consumption of your appliance:

- Install it in an appropriate place (see “Installing your appliance”).
- Leave the doors open as little time as possible.
- Do not put food that is still hot into the appliance.
- To ensure that the appliance operates properly, clean the condenser regularly (see “Routine servicing of your appliance”).
- Regularly inspect the door seals and ensure that they are still closing properly. If this is not the case, contact your after-sales service.

Trouble shooting

Any electrical work should be carried out by a qualified and skilled technician.

- The appliance should be repaired by an accredited repair centre, using only manufacturer’s original spare parts.

The appliance is designed for home use only. The manufacturer declines any liability whatsoever in the case of other utilisation.

PROTECTION OF THE ENVIRONMENT



■ The packaging materials with this appliance may be recycled.

Contribute to their recycling and to the protection of the environment by depositing them in the specific municipal containers provided for this purpose.

Your appliance also contains many materials that can be recycled. It therefore bears the logo that informs you that scrapped appliances should not be mixed with other waste. Thus, the appliance will be recycled by the manufacturer, under optimum conditions, in compliance with European directive 2002/96/EC relating to Waste Electrical and Electronic Equipment. Contact your local municipal offices or your retailer, to identify the nearest collection points for scrapped appliances. Thank you for helping to protect the environment.



R600a

Safety instructions



Caution: Do not obstruct the ventilation grills on the appliance.



Caution: Do not store explosive substances, such as aerosol cans containing an inflammable propellant, in the appliance.



Caution: Do not damage the refrigerating circuit in the appliance.



Caution: The refrigerating units use isobutane (R600a), and should not be placed close to ignition sources (for example, electrical contacts that are exposed or open contacts that could be closed by the refrigerating fluid in the event of a leak). The refrigerating fluid type is specified on the power cabinet identification plate.



Caution: Do not use electrical equipment in the compartments of the appliance, unless they are of the type recommended by the manufacturer.

This appliance meets the requirements of all applicable European directives and their amendments, and notably complies with the following standards:

1907/2006 (REACH)

2011/65/EU (ROHS)

2006/95/EC relating to electrical safety

2004/108/EC relating to electro-magnetic compatibility

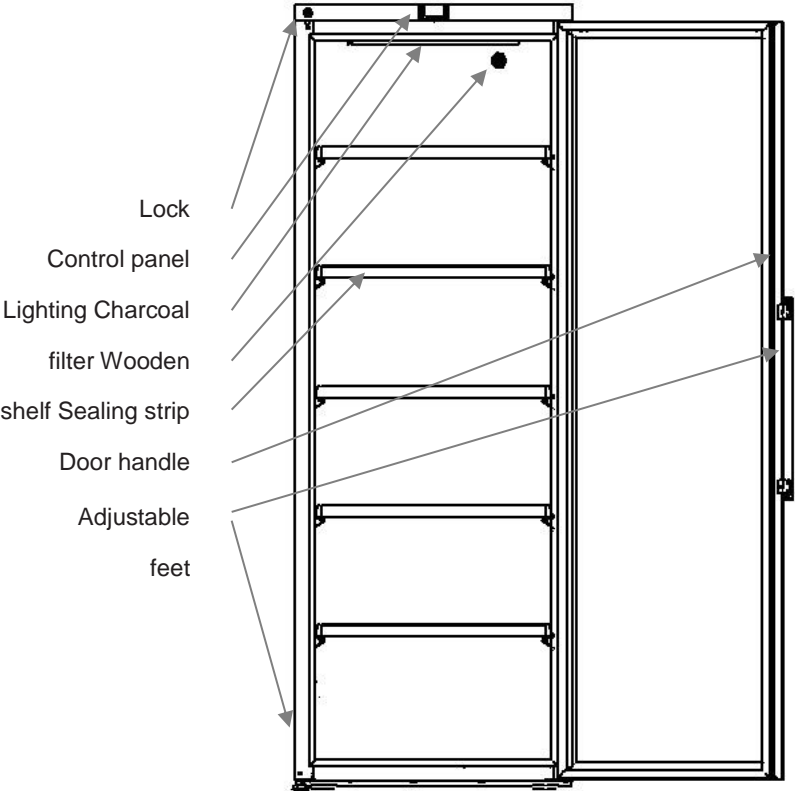
2008/48 relating to electro-magnetic fields

2010/30 and 1060/2010 relating to energy labels



CLASS 1 LED PRODUCT

Get to know your wine cooler



Contents

Warning.....
Get to know your wine cooler.....
Before use.....
Installation and start-up
Technical data.....
Operation and function
Defrosting, cleaning and maintenance
Fault finding
Warranty, spare parts and service
Disposal.....

Before use

On receipt, check to ensure that the appliance has not been damaged during transport. Transport damage should be reported to the local distributor before the wine cooler is put to use.

Remove the packaging. Clean the inside of the cabinet using warm water with a mild detergent. Rinse with clean water and dry thoroughly (see cleaning instructions). Use a soft cloth.

If during transport the appliance has been laid down, or if it has been stored in cold surroundings (colder than +5°C), it must be allowed to stabilise in an upright position for at least an hour before being switched on.

Installation and start-up

Placement

For safety and operational reasons, the appliance must not be installed outdoors.

The appliance should be placed on a level surface in a dry, well ventilated room. Never place the appliance close to sources of heat such as cookers or radiators, and avoid placing it in direct sunlight.

Ambient temperature

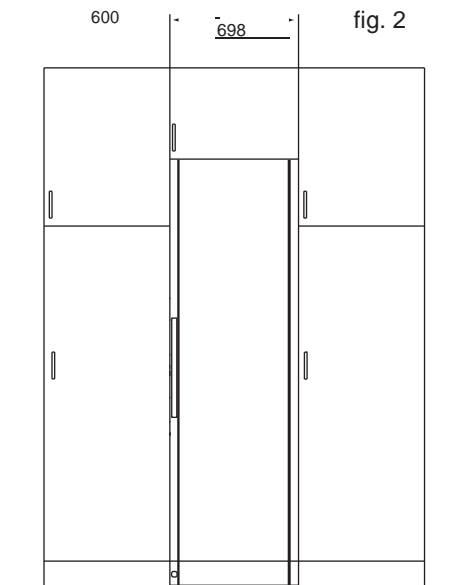
The climate class is stated on the nameplate. This specifies the optimum ambient temperature. Wine coolers with winter position, however, function at ambient temperatures as low as 6°C

Climate class	Optimum room temperature
SN	+10 °C to +32 °C
N	+16 °C to +32 °C
ST	+18 °C to +38 °C
T	+18 °C to +43 °C

Installation

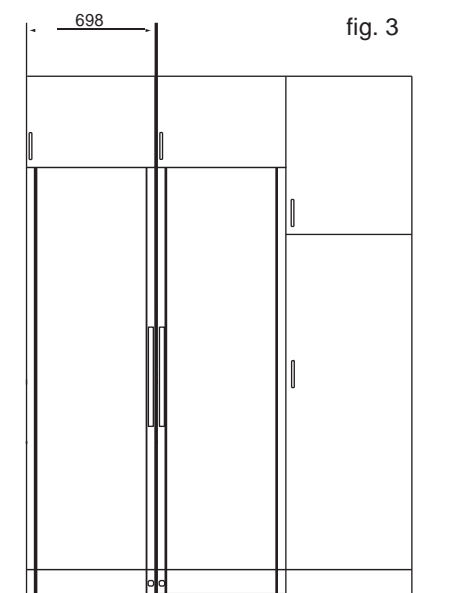
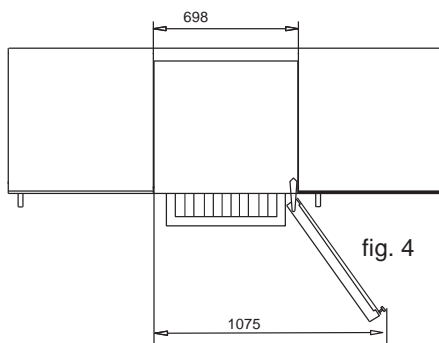
The surface on which the appliance is to be placed must be level. Do not use a frame or similar.

The appliance can be installed as a free-standing unit against a wall, built into a kitchen element, or lined up with other appliances (figs 2-3).



The appliance viewed from above

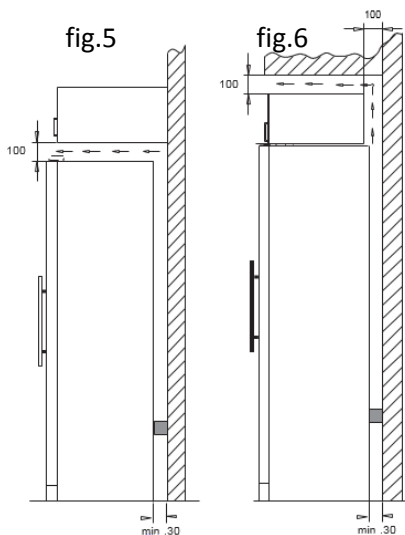
If the appliance is placed beside a wall, there must be sufficient room for its door to be opened wide enough to allow the shelves to be pulled out (fig. 4).



Ventilation

It is important that the appliance be well ventilated and that air can circulate unhindered above, below and around it.

The figures below illustrate how the necessary air circulation around the appliance can be ensured (figs 5-6).



Setting up

It is important that the appliance be absolutely level. It can be levelled by screwing the adjustable feet at the front of the appliance up or down (figs 7). Use a spirit level to check that the appliance is absolutely level sideways.

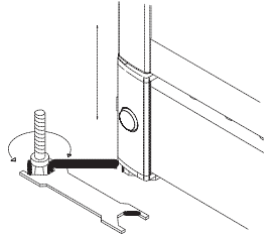


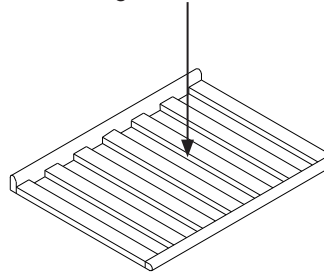
fig. 7

Technical data

This device complies with relevant EU directives including Low Voltage Directive 2006/95 EEC and Electromagnetic Compatibility Directive 2004/108/EC

The rating plate provides various technical information as well as type and serial number.

Max. 85 kg.



Operation and function



fig. 8

Electronic control

The electronic control ensures that the temperatures set at the top and at the bottom of the appliance are maintained. This is achieved by means of an advanced control of the refrigeration system, the heating element. The set temperature will be stored in the event of power failure.

The electronic control has the following functions:

- On/off switch
- Light switch
- Temperature setting
- Temperature indication
- Alarm for too high and too low temperatures

Temperature indication

The display shows the set temperatures. The upper digits of the display indicate the set temperature at the top of the appliance, and the lower digits of the display indicate the set temperature at the bottom of the appliance.

Temperature setting

The thermostat is equipped with a child lock device. This device is activated by pushing the “up and down” buttons simultaneously. After approx. 3 seconds “Pof” flashes in the display. Then the actual temperatures are shown as usual. In addition, the set temperatures can be shown by pushing SET1 and SET2, respectively.

The child lock device is cancelled by pushing the “up and down” buttons simultaneously. After approx. 3 seconds “Pon” flashes in the display, and the temperature can be set.

Temperature setting at the top of the appliance

Push SET1. Then the temperature at the top of the appliance can be adjusted up and down by means of the “up and down” buttons. The temperature can be adjusted from 17 to 19°C,

Temperature setting at the bottom of the appliance

Push SET2. Then the temperature at the bottom of the appliance can be adjusted up and down by means of the “up and down” buttons. The temperature can be adjusted from 7 to 9°C.

Advice

We advise you to put always a temperature gap of 10°C between the top and bottom of the appliance.

Alarm devices

- ⚠ There is a sub-alarm for the low-temperature sensor and an excess-alarm for the high-temperature sensor.

The alarm consists of a beeper and a warning on the display.

Alarm for high temperature: beep sound + alternating display of “HtA” and actual temperature

Alarm for low temperature: beep sound + alternating display of “LtA” and actual temperature

The alarm temperature depends on the set points.

The beep sound can be cancelled by pushing a random thermostat button. Push the on/off button to erase the display alarm, first for cancelling the alarm, then again for restarting the compressor.

Light

To turn off the lights, press once ✨.

Multi-zone storage

Typical serving temperature settings for the top and bottom sections are 17°C and 7°C respectively. With these settings, a suitable temperature gradient will be achieved in the cabinet for the storage of various types of wine distributed from top to bottom as follows:

- heavy red wines +16 to +19°C
- rosé and light red wines +12 to +16°C
- white wines +10 to +12°C
- champagne and sparkling wines +6 to +8°C

It is recommended that wine be served at a temperature which is a couple of degrees lower than the desired drinking temperature as the wine will be warmed slightly when it is poured into the glass.

compressor compartment is best removed using a vacuum cleaner.

Defrosting, cleaning and maintenance

Automatic defrosting

The wine cooler is defrosted automatically. Defrost water runs through a pipe and is collected in a tray above the compressor where the heat generated by the compressor causes it to evaporate. The defrost water tray should be cleaned at intervals.

Cleaning

Before cleaning the appliance, unplug it from the main supply. The cabinet is best cleaned using warm water (max. 65°C) with a little mild detergent. Never use cleaning agents that scour. Use a soft cloth. Rinse with clean water and dry thoroughly. The defrost water channel, in which condensation from the evaporator runs, is located at the bottom of the rear inside wall of the cabinet and must be kept clean. Add a few drops of disinfectant, e.g. Rodalon, to the defrost water drain a couple of times a year, and clean the drain using a pipe cleaner or similar. Never use sharp or pointed implements.

The sealing strip around the door must be cleaned regularly to prevent discolouration and prolong service life. Use clean water. After cleaning the sealing strip, check that it continues to provide a tight seal.

Dust collecting on the condenser on the rear of the cabinet, the compressor and in the

Fault finding

Fault	Possible cause	Remedy
The appliance not working	<p>The appliance is switched off.</p> <p>Power failure; the fuse is blown; the appliance is not plugged in correctly.</p>	<p>Press the on/off switch.</p> <p>Check that power is connected. Reset the fuse.</p>
Water collects in the bottom of the cabinet.	The defrost water pipe is blocked.	Clean the defrost water channel and the drain hole on the rear wall of the cabinet.
Vibration or bothersome noise.	<p>The appliance is not level.</p> <p>The appliance is resting against other kitchen elements.</p> <p>Containers or bottles inside the cabinet are rattling against one another.</p>	<p>Level the appliance using a spirit level.</p> <p>Move the appliance away from the kitchen elements or appliances it is in contact with.</p> <p>Move containers and/or bottles apart.</p>
Compressor runs continuously.	High room temperature.	Ensure adequate ventilation.
P1 is shown on the display.	The upper sensor is disconnected or short-circuited.	Call for service. The temperature within the entire cabinet is maintained at the higher of the two setpoints until the fault has been corrected.
P2 is shown on the display.	The lower sensor is disconnected or short-circuited.	Call for service. The temperature within the entire cabinet is maintained at the higher of the two setpoints until the fault has been corrected.

Warranty, spare parts and service

Warranty disclaimer

Faults and damage caused directly or indirectly by incorrect operation, misuse, insufficient maintenance, incorrect building, installation or mains connection. Fire, accident, lightning, voltage variation or other electrical interference, including defective fuses or faults in mains installations.

Repairs performed by others than approved service centres and any other faults and damage that the manufacturer can substantiate are caused by reasons other than manufacturing or material faults are not covered by the warranty.

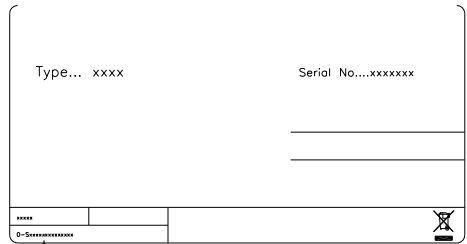
Please note that changes to the construction of the appliance or changes to the component equipment of the appliance will invalidate warranty and product liability, and the appliance cannot be used lawfully. The approval stated on rating plate will also be invalidated.

Transport damage discovered by the buyer is primarily a matter to be settled between the buyer and the distributor, i.e. the distributor must ensure that such complaints are resolved to the buyer's satisfaction.

Before calling for technical assistance, please check whether you are able to rectify the fault yourself. If your request for assistance is unwarranted, e.g. if the appliance has failed as a result of a blown fuse or incorrect operation, you will be charged the costs incurred by your call for technical assistance.

Spare parts

When ordering spare parts, please state the type, serial and product numbers of your appliance. This information is given on the rating plate. The rating plate contains various technical information, including type and serial numbers.



Product numbers

Pour votre sécurité et pour une utilisation correcte de l'appareil, avant d'installer et d'utiliser l'appareil pour la première fois, lisez attentivement cette notice, y compris les mise en garde et les conseils utiles qu'elle contient. Afin d'éviter d'endommager l'appareil et/ou de vous blesser inutilement, il est important que les personnes amenées à utiliser cet appareil aient pris entièrement connaissance de son fonctionnement ainsi que de ses fonctions de sécurité. Conservez ces consignes pour plus tard et pensez à les ranger à côté de l'appareil, afin qu'elles soient transmises avec ce dernier en cas de vente ou de déménagement. Cela permettra de garantir un fonctionnement optimal de l'appareil.

- Pour éviter tout risque de blessure, conservez cette notice. Le fabricant ne saurait en effet pas être tenu responsable en cas de mauvaise manipulation de l'appareil.

Sécurité des enfants et des autres personnes vulnérables

- Cet appareil peut être utilisé par des enfants âgés de 8 ans et plus et par des personnes à capacités réduites sur le plan physique, sensoriel ou mental, ou n'ayant pas appris à utiliser l'appareil, dans le cadre où ils sont encadrés par une personne informée et ayant conscience des risques impliqués. Les enfants ne doivent pas jouer avec l'appareil. Le nettoyage et l'entretien par l'utilisateur ne doivent pas être effectués par des enfants, sauf s'ils ont plus de 8 ans et qu'ils sont surveillés.
- Conservez tous les emballages hors de portée des enfants, car il existe un risque de suffocation.
- Si vous décidez de mettre au rebut l'appareil, débranchez-le de la prise murale, coupez le câble de connexion (aussi proche de l'appareil que vous le pouvez) et retirez la porte afin d'empêcher les enfants de jouer avec et de s'enfermer à l'intérieur.
- Si l'appareil, doté d'un joint de porte magnétique, doit être remplacé par un autre appareil doté d'un loquet sur la porte ou sur le joint, vérifiez bien que le loquet est hors d'état de fonctionner avant de vous débarrasser de l'ancien appareil. Cela évitera de transformer cet appareil en piège pour les enfants.
- Maintenir l'appareil et son cordon hors de portée des enfants de moins de 8 ans.

Sécurité générale

- ATTENTION — Cet appareil est conçu pour fonctionner dans un foyer domestique.
- ATTENTION — Ne rangez jamais de substances inflammables tels que des aérosols à l'intérieur de cet appareil, car elles pourraient s'y déverser.
- ATTENTION — Si le cordon d'alimentation est endommagé, vous devez le remplacer immédiatement auprès de votre fabricant, ou d'un revendeur qualifié, afin d'éviter tout risque d'électrocution.
- ATTENTION — Maintenez les ventilations bien ouvertes, et vérifiez bien que l'air peut circuler par les ouvertures, surtout si l'appareil est encastré dans le mur.
- ATTENTION — N'endommagez pas le circuit de réfrigération.
- ATTENTION — N'utilisez pas d'appareils électriques à l'intérieur du compartiment, sauf si ces derniers sont tolérés par le fabricant.
- ATTENTION — Le système réfrigérant et isolant contiennent des gaz inflammables. Lorsque vous mettez l'appareil au rebut, faites-le auprès d'un centre de collecte agréé. N'exposez jamais l'appareil aux flammes.

Liquide réfrigérant

De l'isobutane réfrigérant (R600a) est utilisé dans le circuit réfrigérant de l'appareil ; Il s'agit d'un gaz naturel hautement inflammable, et donc dangereux pour l'environnement. Pendant les transports et l'installation de l'appareil, vérifiez qu'aucun des composants du circuit de réfrigération ne soit endommagé. Le réfrigérant (R600a) est un liquide inflammable.

Attention : Risque d'incendie

Si le circuit de réfrigération était endommagé :

- Evitez les flammes nues et toute source d'inflammation.
- Ventilez bien la pièce où se trouve l'appareil.



Il est dangereux de modifier la composition de cet appareil, de quelque manière que ce soit.

Tout dommage fait au cordon peut provoquer un court-circuit, et/ou une électrocution

Sécurité électrique

- Nous ne pouvons pas être tenus pour responsables de tout incident causé par une mauvaise installation électrique.
- Le cordon d'alimentation ne doit pas être rallongé. N'utilisez ni prolongateur, ni adaptateur, ni prise multiple.
- Vérifiez bien que la prise murale n'est pas endommagée. Une prise murale en mauvais état pourrait entraîner une surchauffe de l'appareil et son explosion.
- Vérifiez bien que vous pouvez accéder à la prise murale de l'appareil.
- Ne tirez jamais sur le câble principal.
- Ne supprimez jamais la mise à la terre.
- Si la prise murale est lâche, ne branchez pas le cordon. Il existe un risque d'électrocution ou d'incendie.
- Vous ne devez jamais utiliser l'appareil si le cache de l'éclairage intérieur n'est pas en place.
- Débranchez votre appareil avant de procéder au changement de l'ampoule.
- Cet appareil fonctionne sur un courant à phase unique de 220~240V/50Hz. L'appareil doit utiliser une prise murale reliée à la terre selon les recommandations en vigueur.
- Si le câble d'alimentation est endommagé, ne procédez pas à son remplacement mais contactez votre service après-vente.
- La prise de courant doit être facilement accessible mais hors de portée des enfants. En cas d'incertitude, adressez-vous à votre installateur.

Utilisation quotidienne

- Ne stockez jamais de substances ou de liquides inflammables à l'intérieur de l'appareil ; cela provoquerait un risque d'explosion.
- Ne faites pas fonctionner d'autres appareils électriques à l'intérieur de cet appareil (mixeurs, turbines à glace électrique, etc).
- Lorsque vous débranchez l'appareil, tenez toujours la prise dans vos mains et ne tirez pas sur le cordon.
- N'exposez pas l'appareil directement au soleil.
- L'appareil doit être tenu éloigné de bougies, luminaires et autres flammes nues, afin d'éviter les risques d'incendie.
- Cet appareil est destiné exclusivement au stockage du vin et des boissons.
- L'appareil est lourd. Soyez prudent lorsque vous le déplacez.
- Si votre appareil est équipé de roulettes, rappelez-vous qu'elles servent uniquement à faciliter les petits mouvements. Ne le déplacez pas sur de plus longs trajets.
- N'utilisez jamais l'appareil ou ses éléments pour vous appuyer
- Pour éviter les chutes d'objets et empêcher de détériorer l'appareil, ne surchargez pas les compartiments de l'appareil.

Attention ! Nettoyage et entretien

- Avant tout entretien, débranchez l'appareil et coupez le courant.
- Ne nettoyez pas l'appareil avec des objets métalliques, un système à vapeur, des huiles volatiles, des solvants organiques ou des composants abrasifs.
- N'utilisez pas d'objets tranchants ou pointus pour retirer la glace. Utilisez un grattoir en plastique.

Information importante à propos de l'installation!

- Pour que les branchements électriques soient corrects, suivez bien les consignes livrées dans ce manuel.
- Déballez l'appareil et vérifiez qu'il n'est pas endommagé visuellement. Ne branchez pas l'appareil si ce dernier est endommagé. Signalez tout dommage au point de vente où vous l'avez acheté. Dans ce cas, conservez l'emballage.
- Il est recommandé d'attendre au moins quatre heures avant de brancher l'appareil au courant, afin que le compresseur soit bien alimenté en huile.
- Une bonne circulation de l'air est nécessaire, afin d'éviter les risques de surchauffe. Pour que la ventilation soit suffisante, suivez bien les consignes d'installation fournies.
- Dès que possible, évitez que l'appareil ne touche les parois murales et/ou ne soit en contact avec des éléments chauds (compresseur, condensateur) afin d'éviter les risques d'incendie. Respectez toujours bien les consignes d'installation.
- L'appareil ne doit pas être situé à côté de radiateurs ou de feux de cuisson.
- Vérifiez bien que les prises sont accessibles une fois l'appareil installé.

ÉCONOMIES D'ÉNERGIE

Pour limiter la consommation électrique de votre appareil:

- Installez-le dans un endroit approprié (voir chapitre «Installation de votre appareil»).
- Gardez les portes ouvertes le moins de temps possible.
- Veillez au fonctionnement optimal de votre appareil en nettoyant périodiquement le condenseur (voir chapitre «Entretien courant de votre appareil»).
- Contrôlez périodiquement les joints des portes et assurez-vous qu'elles ferment toujours de manière efficace. Si ce n'est pas le cas, adressez-vous à votre service après-vente.

Dépannage

- Tout opération électrique doit être effectuée par un technicien qualifié et compétent.
- Cet appareil doit être dépanné par un Centre de Réparation Agréé, et seules des pièces d'origine doivent être utilisées.

Cet appareil est réservé à un usage domestique exclusivement. Le fabricant ne saurait être tenu responsable d'une autre utilisation.



R600a

Instructions de sécurité



Attention: N'obstruer aucune grille de ventilation de l'appareil.



Attention : Ne pas stocker de substances explosives comme les bombes d'aérosol avec un propulseur inflammables dans cet appareil.



Attention : Ne pas endommager le circuit frigorifique de l'appareil.



Attention : Les unités de réfrigération fonctionnant avec de l'isobutane (R600a), elles ne peuvent être placées dans une zone avec des sources d'ignition (par exemple, descellé contacts électriques ou lorsque le fluide frigorigène pourrait rassembler en cas de fuite). Le type de fluide frigorigène est indiqué sur la plaque signalétique de l'armoire.



Attention: Ne pas utiliser d'appareils électriques dans les compartiments de l'appareil, sauf si elles sont du type recommandé par le fabricant.

Cet appareil est conforme à toutes les directives européennes en vigueur et à leurs modifications éventuelles et est conforme notamment aux normes suivantes :

1907/2006

(REACH)

2011/65/EU

(ROHS)

2006/95/CE relative à la sécurité électrique

2004/108/CE relative à la compatibilité

électromagnétique 2008/48 relative au champ

électromagnétique

2010/30 et 1060/2010 relative à l'étiquetage énergétique





PROTECTION DE L ' ENVIRONNEMENT

Les matériaux d'emballage de cet appareil sont recyclables.

Participez à leur recyclage et contribuez ainsi à la protection de l'environnement en les déposant dans les conteneurs municipaux prévus à cet effet.

Votre appareil contient également de nombreux matériaux recyclables. Il est donc marqué de ce logo afin de vous indiquer que les appareils usagés ne doivent pas être mélangés avec d'autres déchets. Le recyclage des appareils qu'organise votre fabricant sera ainsi réalisé dans les meilleures conditions, conformément à la directive européenne 2002/96/CE sur les déchets d'équipements électriques et électroniques. Adressez-vous à votre mairie ou à votre revendeur pour connaître les points de collecte des appareils usagés les plus proches de votre domicile. Nous vous remercions pour votre collaboration à la protection de l'environnement.

Pour apprendre à connaître votre cave à vin

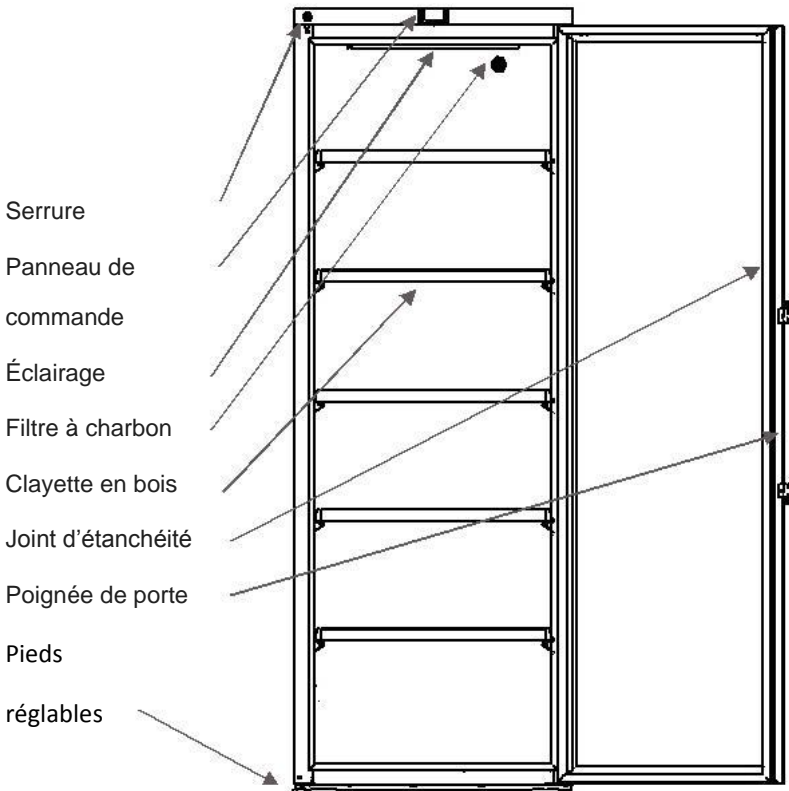


fig.1

Sommaire

Avertissement
Pour apprendre à connaître votre cave à vin.....
Avant la mise en marche
Installation et mise en marche.....
Caractéristiques techniques
Utilisation et fonctionnement.....
Dégivrage, nettoyage et entretien
Recherche de pannes
Garantie, pièces de rechange et service après-vente.....
Traitement de l'appareil usagé ...

Installation et mise en marche

Placement

Pour des raisons de sécurité et de fonctionnement, l'appareil ne doit pas être installé à l'extérieur.

L'appareil doit être placé sur une surface plane dans un endroit sec, bien ventilé. Ne jamais placer l'appareil à proximité de sources de chaleur telles que cuisinières ou radiateurs, et éviter de le placer au rayonnement direct du soleil.

Température ambiante

La classe climatique est indiquée sur la plaque signalétique. Elle indique la température ambiante optimale. Les refroidisseurs de vin en mode hiver fonctionnent jusqu'à une température ambiante de 6 °C.

Avant la mise en marche

À la réception, contrôler que l'appareil n'est pas endommagé. Les dommages dus au transport doivent être notifiés à votre fournisseur avant l'utilisation de votre cave à vin.

Enlever l'emballage. Nettoyer l'intérieur de l'appareil à l'eau tiède additionnée de produit à vaisselle non-agressif. Rincer à l'eau pure et essuyer soigneusement (voir chapitre nettoyage). Utiliser un chiffon doux.

Si l'appareil a été couché pendant le

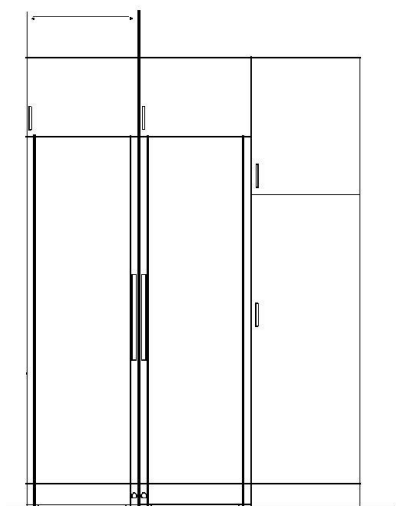
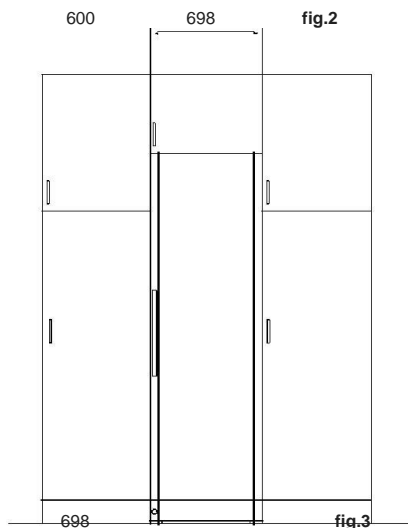
transport ou s'il a été stocké dans un environnement froid (température inférieure à +5 °C), il doit être placé en position verticale et rester ainsi au moins une heure avant d'être mis en marche.

Classe climatique	Température ambiante optimale
SN	+10 °C à +32 °C
N	+16 °C à +32 °C
ST	+18 °C à +38 °C
T	+18 °C à +43 °C

Installation

La surface sur laquelle l'appareil est placé doit être plane et horizontale. Ne pas utiliser de cadre ou de support similaire.

L'appareil peut être installé comme unité indépendante le long d'un mur, être encastré dans un élément de cuisine, ou placé côte à côte avec d'autres appareils (fig. 2 et 3).



L'appareil vu de dessus

Si l'appareil est placé près d'un mur, s'assurer que la distance au mur est suffisante pour que la porte puisse être assez ouverte pour retirer les rayonnages (fig. 4).

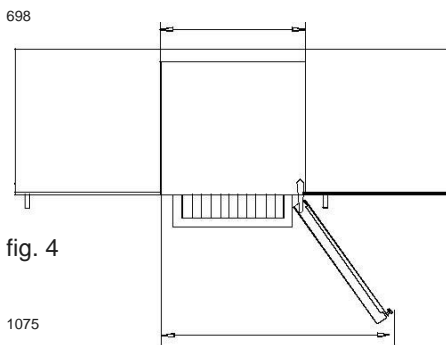
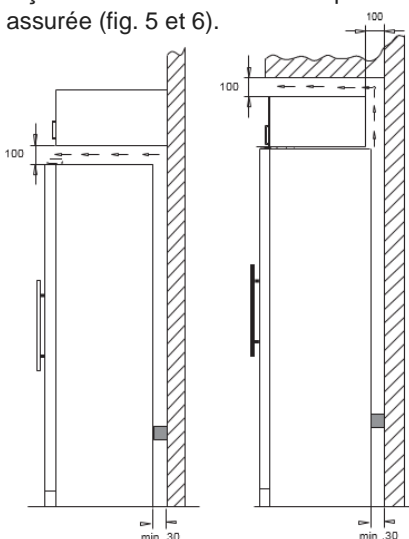


fig. 4

Ventilation

Il est important que l'appareil soit bien ventilé et que l'air puisse circuler librement au-dessus, en dessous et autour de l'appareil.

Les schémas ci-dessous illustrent la façon dont la circulation d'air peut être assurée (fig. 5 et 6).



Mise en place

Il est important que l'appareil soit placé sur une surface parfaitement plane. Pour ce faire, ajuster les pieds réglables de devant en les tournant pour lever ou baisser (fig. 7).

Contrôler à l'aide d'un niveau que l'appareil est bien positionné.

fig. 7

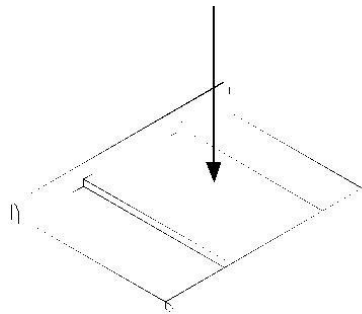
Caractéristiques

techniques

Ce dispositif est conforme aux directives de l'UE. le concernant, y compris la Directive 2006/95/CEE sur la Basse Tension et la Directive 2004/108/CE sur la Compatibilité Électromagnétique.

La plaque signalétique placée à l'intérieur comporte divers renseignements techniques ainsi que le numéro de modèle et de série.

Max. 85 kg.



Utilisation et fonctionnement



fig. 8

Commande électronique

La commande électronique assure le maintien des températures programmées dans les deux parties de l'appareil. Ceci grâce à un contrôle perfectionné du système de refroidissement, de l'élément chauffant et du ventilateur. Après une éventuelle panne de courant, l'appareil garde en mémoire la température programmée.

La commande électronique assure les fonctions suivantes :

- Interrupteur marche/arrêt
- Interrupteur d'éclairage
- Réglage des températures
- Affichage des températures
- Alarme en cas de température trop haute ou trop basse

Indicateur de température :

L'indicateur montre la valeur de température réglée. Le chiffre supérieur indique la valeur réglée pour la partie supérieure de l'appareil, le chiffre

inférieur indique la valeur réglée pour la partie inférieure de l'appareil.

Réglage de la température :

Le thermostat est équipé d'un dispositif de verrouillage enfant. Le dispositif est activé en appuyant simultanément sur les boutons HAUT et BAS. Dans 3 secondes environ, l'inscription « Pof » clignotera sur l'écran et la température peut être réglée.

Réglage de la température dans la partie supérieure de l'appareil

Appuyez sur le bouton SET1. Dans la partie supérieure de l'appareil, les boutons HAUT et BAS permettent de régler la température. La température peut être ajustée entre 17 et 19 °C.

Réglage de la température dans la partie inférieure de l'appareil

Appuyez sur le bouton SET2. Dans la partie supérieure de l'appareil, les boutons HAUT et BAS permettent de régler la température. La température peut être ajustée entre 7 et 9 °C

Conseil

Nous vous suggérons d'avoir toujours un écart de température de 10°C entre le haut et le bas de votre cave.

Dispositifs d'alarme :

L'appareil est équipé d'un détecteur de température trop basse et d'un détecteur de température trop élevée.

L'alarme comporte un signal sonore et l'affichage d'un code d'erreur sur l'écran.

Alarme suite à une température trop élevée : un signal sonore + le code d'erreur « Hta » et la température actuelle apparaissent sur l'écran


Alarme suite à une température trop élevée : un signal sonore + le code d'erreur « Lta » et la température actuelle apparaissent sur l'écran

La température d'alarme dépend de la température réglée.

Li signal sonore peut être arrêté en appuyant sur n'importe quel bouton du thermostat.

Le code d'erreur reste affiché tant que le motif de l'erreur persiste.

Éclairage

Pour allumer / éteindre l'éclairage, appuyer une fois sur .

Stockage multizone

L'appareil est réglé en fonction de la température de service des vins : dans la partie supérieure, la température est de 17°C, dans la partie inférieure, la température est de 7°C. Ces réglages de température permettent d'obtenir des températures de stockage différentes dans le réfrigérateur, correspondant aux différentes variétés de vins servis, qui sont les suivantes :

Vin rouges corpulents : de +16°C à 19°C
Vins rosés et vin rouges légers : de +12°C à 16°C

Vins blancs : de +10°C à 12°C

Champagnes et vins mousseux : de +8°C à +10°C

Il est recommandé de servir le vin à une température de quelques degrés inférieure à la température de consommation souhaitée, étant donné que le se réchauffe légèrement lorsqu'il est versé dans le verre.

Conseil

Nous vous conseillons de garder toujours une différence de température de 10°C entre la partie inférieure et supérieure de l'appareil.

Dégivrage, nettoyage et entretien

Dégivrage automatique

Le dégivrage de la cave à vin est automatique ; l'eau de dégivrage s'écoule par un tuyau et est recueillie dans un bac spécial placé au-dessus du compresseur. Elle s'évapore ensuite sous l'action de la chaleur dégagée par le compresseur. Nettoyer de temps à autre le bac de collecte de l'eau de dégivrage.

Nettoyage

Couper l'alimentation à l'aide du bouton marche-arrêt lorsque l'appareil doit être nettoyé. Il est préférable et plus efficace d'utiliser un mélange d'eau tiède et d'une faible quantité de liquide à vaisselle (max. 65 °C). Ne jamais utiliser de produits de nettoyage abrasifs. Utiliser un chiffon doux. Rincer à l'eau pure et essuyer soigneusement. La goulotte destinée à l'écoulement de l'eau de dégivrage se trouve en bas sur la paroi intérieure de l'appareil. Elle doit être tenue propre. Utiliser un produit désinfectant de type Rodalon : en faire couler quelques gouttes dans l'orifice d'écoulement deux-trois fois par an.

Nettoyer ensuite avec un cure-pipe en coton ou équivalent. Ne jamais utiliser d'instrument pointu ou tranchant.

Le joint d'étanchéité de la porte nécessite un nettoyage régulier afin d'éviter qu'il ne se décolore et pour garantir sa longévité. Utiliser de l'eau pure. Après le nettoyage du joint d'étanchéité, contrôler qu'il assure toujours l'étanchéité de la porte.

Enlever les poussières accumulées sur le condensateur, le compresseur et dans l'espace compresseur à l'aide d'un aspirateur.

Recherche de pannes

Panne	Cause possible	Remède
L'appareil ne fonctionne pas	L'appareil est éteint. Panne de courant ; fusible grillé ou disjoncteur déclenché ; prise mal enfoncée.	Appuyer sur le bouton marche-arrêt. Vérifier l'alimentation électrique. Contrôler le fusible ou le disjoncteur.
De l'eau s'accumule au fond du cave à vin.	L'orifice d'évacuation de l'eau de dégivrage est bouché.	Nettoyer la goulotte et l'orifice d'évacuation de l'eau de dégivrage sur la paroi arrière du cave à vin.
Vibrations et bruits gênants.	L'appareil n'est pas placé sur une surface horizontale. L'appareil touche d'autres éléments de cuisine. Des récipients ou des bouteilles se touchent dans l'appareil.	Niveler l'appareil en utilisant un niveau à bulle. Écarter l'appareil des éléments de cuisine ou des appareils qui sont proches de lui. Séparer les bouteilles ou les récipients qui s'entrechoquent.
Le compresseur tourne sans arrêt.	Température ambiante élevée.	Assurer une bonne ventilation.
La commande affiche P1.	Le capteur du haut ne fonctionne plus ou a subi un court-circuitée.	Contacter le service après-vente. La plus haute température entre les deux réglées restera dans tout l'appareil jusqu'à la réparation du défaut.

Garantie, pièces de rechange et service après-vente

Exclusion de garantie

Les pannes ou les dommages dus directement ou indirectement à une utilisation incorrecte ou fautive, un entretien insuffisant, un encastrement, une mise en place ou un raccordement incorrect, un incendie, un accident, un impact de foudre, des variations de tension et tout autre dysfonctionnement électrique dû par exemple à des fusibles ou disjoncteurs défectueux, ou à des défauts du réseau d'alimentation électrique ne sont pas couverts par la garantie.

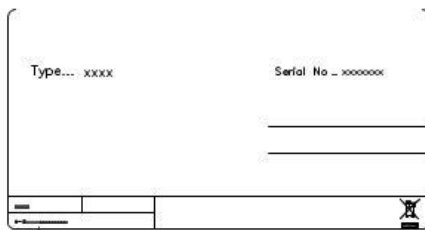
En cas de réparation effectuée par des personnes autres que les réparateurs agréés par le fournisseur, et en cas de panne ou dommage dont le fournisseur peut prouver qu'ils sont dus à d'autres causes que des erreurs ou défauts de fabrication ou de matériaux, la garantie ne sera pas valable.

Veillez noter que si une intervention dans la construction ou une modification des composants de l'appareil a été effectuée, la garantie et la responsabilité du fournisseur cesseront, et l'appareil ne pourra pas être utilisé légalement. L'autorisation figurant sur la plaque signalétique sera également invalidée.

Les dommages dus au transport et constatés chez le client sont à régler entre le client et le revendeur, ce qui signifie que ce dernier doit s'assurer de la satisfaction du client.

Pièces de rechange

Lors de la commande de pièces de rechange, indiquer le type, le numéro de produit, le numéro de série de l'appareil. Ces renseignements se trouvent sur la plaque signalétique au dos de l'appareil. La plaque signalétique contient plusieurs informations techniques, dont les numéros de type et de série.



Numéros de produit

Avant de faire appel au service après-vente, veuillez vérifier si vous pouvez éliminer le défaut vous-même. Si la cause de l'intervention demandée ressort de votre responsabilité, par exemple, si la panne de l'appareil est due à un fusible grillé ou à une mauvaise utilisation, vous devrez régler les frais entraînés par cette intervention.

Lesen Sie die Bedienungsanleitung, einschließlich der darin enthaltenen Warnhinweise und nützlichen Tipps, zu Ihrer Sicherheit und zum korrekten Gebrauch des Geräts vor der Installation und Inbetriebnahme des Geräts aufmerksam durch. Um das Gerät nicht zu beschädigen und/oder unnötige Verletzungen zu vermeiden, ist es wichtig, dass die Personen, die das Gerät benutzen, seine Funktionsweise sowie seine Sicherheitsfunktionen gut kennen. Bewahren Sie die Bedienungsanleitung zum späteren Nachschlagen auf und verstauen Sie sie neben dem Gerät, damit sie beim Verkauf bzw. Umzug zusammen mit dem Gerät übergeben wird. So kann gewährleistet werden, dass das Gerät optimal funktioniert.

Bewahren Sie die Bedienungsanleitung auf, um der Verletzungsgefahr vorzubeugen. Der Hersteller kann nicht für Schäden durch unsachgemäßen Umgang mit dem Gerät haftbar gemacht werden.

Sicherheit von Kindern und hilfsbedürftigen Personen

- Das Gerät kann von Kindern im Alter von 8 Jahren und mehr sowie Personen mit eingeschränkten körperlichen, sensorischen oder geistigen Fähigkeiten oder die den Gebrauch des Gerätes nicht erlernt haben, benutzt werden, wenn sie von einer sachkundigen Person, die sich der damit verbundenen Risiken bewusst ist, betreut werden. Kinder dürfen nicht mit dem Gerät spielen. Die Reinigung und Benutzerwartung dürfen nicht von Kindern durchgeführt werden, außer sie sind mindestens 8 Jahre alt und werden dabei überwacht.
- Alle Verpackungen außerhalb der Reichweite von Kindern aufbewahren, da Erstickungsgefahr besteht.
- Bei der Entsorgung des Gerätes den Netzstecker aus der Steckdose ziehen und das Netzkabel abschneiden (möglichst dicht am Gerät) und die Tür entfernen, damit Kinder nicht damit spielen und einen Stromschlag erleiden oder sich im Geräteinneren einschließen können.
- Muss das mit einer magnetischen Türdichtung ausgestattete Gerät durch ein anderes Gerät mit einem Schnappschloss an der Tür bzw. Dichtung ersetzt werden, vor der Entsorgung des Altgerätes prüfen, dass das Schnappschloss funktionsunfähig ist. So lässt sich vermeiden, dass das Gerät zu einer Falle für Kinder wird.
- Das Gerät und das Netzkabel außerhalb der Reichweite von Kindern unter 8 Jahren aufbewahren.

Allgemeine Sicherheit

- ACHTUNG! Das Gerät ist für den Hausgebrauch ausgelegt.
- ACHTUNG! Bewahren Sie keine entzündlichen Stoffe, wie z.B. Spraydosen, im Inneren des Gerätes auf, da sie dort auslaufen können.
- ACHTUNG! Ist das Netzkabel beschädigt, muss es zur Vermeidung der Stromschlaggefahr umgehend durch den Hersteller oder einen Fachhändler ausgetauscht werden.
- ACHTUNG! Die Lüftungsöffnungen dürfen nicht versperrt werden. Prüfen Sie, dass die Luft frei durch die Öffnungen zirkulieren kann, vor allem bei Einbaugeräten.
- ACHTUNG! Den Kältekreislauf auf keinen Fall beschädigen.
- ACHTUNG! Im Inneren des Kühlfachs keine Elektrogeräte verwenden, außer diese sind vom Hersteller zugelassen.
- ACHTUNG! Das Kältesystem und die Isolierung enthalten entzündliche Gase. Das Gerät in einer zugelassenen Sammelstelle entsorgen. Das Gerät keinen Flammen aussetzen.

Kältemittel

Im Kältekreislauf des Geräts wird Isobutan (R600a) eingesetzt. Es handelt sich dabei um ein hochentzündliches Gas, das umweltschädigend ist. Beim Transport und der Installation des Geräts prüfen, dass keine Komponenten des Kältekreislaufs beschädigt sind. Das Kältemittel (R600a) ist eine entzündbare Flüssigkeit.

Achtung! Brandgefahr

Bei Beschädigungen des Kältekreislaufs:

- Offene Flammen und sonstige Zündquellen vermeiden.
- Den Raum, in dem sich das Gerät befindet, gut lüften.

Es ist gefährlich, irgendwelche Änderungen an der Zusammensetzung des Geräts vorzunehmen.

Schäden am Netzkabel können einen Kurzschluss und/oder elektrischen Schlag verursachen.

Elektrosicherheit

- Wir können nicht für Schäden haftbar gemacht werden, die durch eine fehlerhafte Elektroinstallation verursacht werden.
- Das Netzkabel darf nicht verlängert werden. Kein Verlängerungskabel, keinen Adapter und keine Mehrfachsteckdose verwenden.
- Prüfen, dass die Wandsteckdose nicht beschädigt ist. Eine Wandsteckdose in schlechtem Zustand kann zur Überhitzung des Geräts und seiner Explosion führen.
- Prüfen, dass die Wandsteckdose des Geräts leicht erreichbar ist.
- Nicht am Netzkabel ziehen.
- Den Schutzkontakt auf keinen Fall entfernen.
- Das Netzkabel nicht anschließen, wenn die Wandsteckdose locker ist. Es besteht Stromschlag- und Brandgefahr.
- Das Gerät nicht benutzen, wenn die Abdeckung der Innenbeleuchtung nicht angebracht ist.
- Vor dem Glühbirnenwechsel den Netzstecker aus der Steckdose ziehen.
- Das Gerät funktioniert mit 220~240V/50Hz Einphasenwechselstrom. Das Gerät muss an eine vorschriftsmäßig geerdete Wandsteckdose angeschlossen werden.
- Ist das Netzkabel beschädigt, es nicht selbst austauschen, sondern den Kundendienst kontaktieren.
- Der Netzstecker muss leicht erreichbar sein, aber außerhalb der Reichweite von Kindern liegen. Bei Zweifeln wenden Sie sich bitte an Ihren Elektroinstallateur.

Täglicher Gebrauch

- Keine entzündlichen Stoffe oder Flüssigkeiten im Geräteinneren aufbewahren, da Explosionsgefahr besteht.
- Keine anderen Elektrogeräte (Mixer, Eismaschinen, usw.) im Geräteinneren betreiben.
- Beim Abtrennen des Gerätes von der Stromversorgung am Netzstecker und nicht am Kabel ziehen.
- Das Gerät keiner direkten Sonnenbestrahlung aussetzen.
- Das Gerät muss von Kerzen, Beleuchtungskörpern und offenen Flammen ferngehalten werden, um der Brandgefahr vorzubeugen.
- Das Gerät ist ausschließlich zur Lagerung von Wein und Getränken bestimmt.
- Das Gerät ist schwer. Seien Sie vorsichtig, wenn Sie das Gerät verstellen.
- Bei Geräten, die mit Rollen ausgestattet sind, ist zu beachten, dass diese nur dazu dienen, kurze Bewegungen zu erleichtern. Das Gerät nicht über längere Strecken verschieben.
- Sich nicht auf dem Gerät bzw. seinen Bauelementen abstützen.
- Um das Herabstürzen von Gegenständen und Beschädigungen des Gerätes zu vermeiden, die Fächer des Gerätes nicht überladen.

Achtung! Reinigung und Pflege

- Vor der Reinigung den Netzstecker aus der Steckdose ziehen und den Strom abstellen.
- Das Gerät nicht mit metallischen Gegenständen, Dampfreinigern, flüchtigen Ölen, organischen Lösemitteln oder Scheuermitteln reinigen.
- Zum Entfernen von Eis keine scharfen oder spitzen Gegenstände verwenden. Stattdessen einen Kunststoffschaber verwenden.

Wichtiger Hinweis zur Installation!

- Zur ordnungsgemäßen Ausführung der elektrischen Anschlüsse die Vorschriften in der Bedienungsanleitung beachten.
- Das Gerät auspacken und visuell prüfen, dass es nicht beschädigt ist. Das Gerät nicht anschließen, wenn es beschädigt ist. Etwaige Schäden der Verkaufsstelle melden, wo Sie das Gerät gekauft haben. In diesem Fall die Verpackung aufbewahren.
- Es wird empfohlen, vor dem Anschluss des Gerätes an die Stromversorgung mindestens vier Stunden zu warten, damit der Kompressor ordnungsgemäß mit Öl gefüllt ist.
- Eine gute Luftzirkulation ist notwendig, um die Gefahr der Überhitzung zu vermeiden. Zur Gewährleistung einer ausreichenden Belüftung die angegebenen Installationshinweise beachten.
- Möglichst vermeiden, dass das Gerät die Wand berührt und/oder mit heißen Bauteilen (Kompressor, Kondensator) in Berührung kommt, um der Brandgefahr vorzubeugen. Prinzipiell die Installationsvorschriften beachten.
- Das Gerät darf nicht neben Heizkörpern oder Kochplatten aufgestellt werden.
- Prüfen, dass die Steckdosen erreichbar sind, nachdem das Gerät installiert wurde.

ENERGIEEINSPARUNGEN

Zur Begrenzung des Stromverbrauchs des Gerätes:

- Das Gerät an einem geeigneten Ort aufstellen (siehe Abschnitt "Installation des Gerätes").
- Die Türen nur so lange wie unbedingt nötig öffnen.
- Keine warmen Lebensmittel in das Gerät stellen.
- Durch die periodische Reinigung des Kondensators den optimalen Betrieb des Gerätes sicherstellen (siehe Abschnitt "Regelmäßige Pflege des Gerätes").
- Die Türdichtungen periodisch kontrollieren und prüfen, dass die Türen gut schließen. Ist dies nicht der Fall, wenden Sie sich bitte an den Kundendienst.

Störungsbehebung

- Alle elektrischen Arbeiten müssen von einer sachkundigen Elektrofachkraft durchgeführt werden.
- Das Gerät muss von einer zugelassenen Reparaturstelle repariert werden. Für die Reparatur dürfen nur Originalersatzteile verwendet werden.

Das Gerät ist ausschließlich für den Hausgebrauch bestimmt. Der Hersteller kann nicht für die unsachgemäße Verwendung haftbar gemacht werden.



R600a

Sicherheitshinweise

Achtung! Die Lüftungsgitter des Gerätes nicht versperren.

Achtung! In dem Gerät keine explosionsfähigen Stoffe, wie z.B. Spraydosen mit entzündlichem Treibgas, lagern.

Achtung! Den Kältemittelkreislauf des Gerätes nicht beschädigen.

Achtung! Die Kühleinheiten funktionieren mit Isobutan (R600a) und dürfen daher nicht in einem Bereich mit Zündquellen aufgestellt werden (z.B. offene elektrische Kontakte oder auslaufendes Kältemittel). Der Kältemitteltyp ist auf dem Typenschild des Gerätes angegeben.

Achtung! In den Fächern des Gerätes keine Elektrogeräte verwenden, außer sie wurden vom Hersteller ausdrücklich empfohlen.

Das Gerät entspricht allen geltenden europäischen Richtlinien und ihren etwaigen Änderungen und ist insbesondere konform mit den folgenden Normen:

1907/2006 (REACH)

2011/65/EU (RoHS)

2006/95/EG Niederspannungsrichtlinie

2004/108/EG Richtlinie über die elektromagnetische Verträglichkeit

2008/48/EG Richtlinie über elektromagnetische Felder

2010/30/EU und 1060/2010/EU über die Kennzeichnung von Haushaltskühlgeräten in Bezug auf den Energieverbrauch



UMWELTSCHUTZ



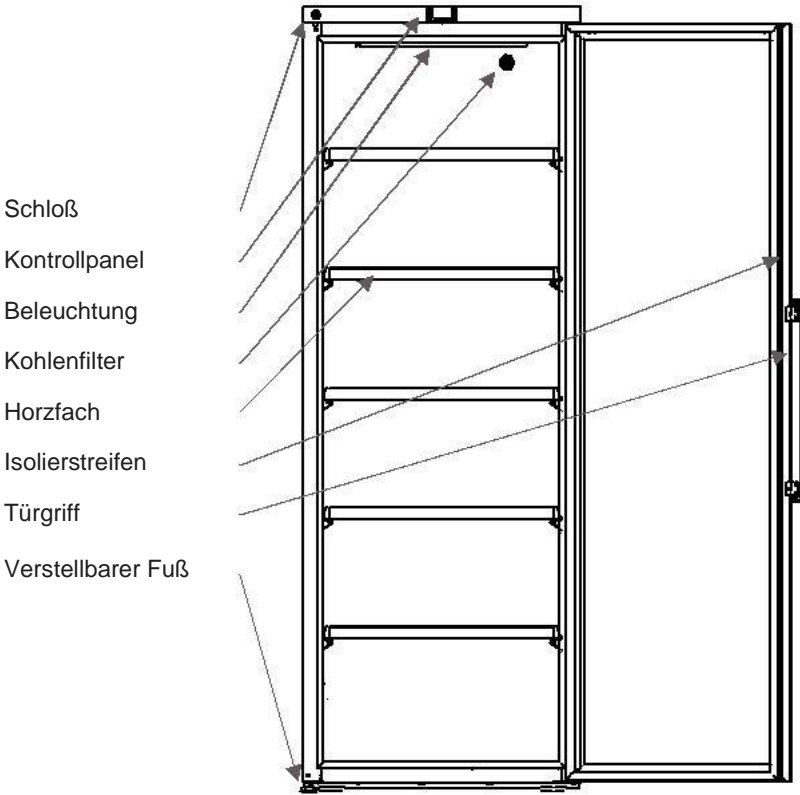
Die Verpackungsmaterialien des Gerätes sind recycelbar.

Leisten Sie einen Beitrag zum Umweltschutz und entsorgen Sie die Verpackung in den dafür vorgesehenen Gelben Tonnen, damit sie recycelt werden kann.

Das Gerät enthält ebenfalls zahlreiche recycelbare Materialien. Es ist daher mit diesem Symbol gekennzeichnet, um anzuzeigen, dass die Altgeräte getrennt entsorgt werden müssen. Das Recycling der Altgeräte durch den Hersteller kann so unter optimalen Bedingungen erfolgen, entsprechend der europäischen Richtlinie 2002/96/EG über Elektro- und Elektronik-Altgeräte. Wenden Sie sich an das Rathaus oder den Händler, um Informationen über die nächstgelegenen Sammelstellen für Altgeräte zu erhalten. Wir danken Ihnen für Ihren Beitrag zum Umweltschutz.

Ein LED Produkt der Klasse 1

Lernen Sie Ihren Weinkühler kennen



Inhaltsverzeichnis

Inhaltsverzeichnis

- Warnung.....
- Lernen Sie Ihren Weinkühler kennen
- Vor der Inbetriebnahme
- Platzierung und Einschaltung
- Technische Daten
- Betrieb und Funktion
- Abtauen, Reinigung und Instandhaltung.....
- Fehlersuche.....
- Haftung, Ersatzteile, Service.....
- Entsorgung.....

Vor der Inbetriebnahme

Kontrollieren Sie, ob die Anlage während des Transportes beschädigt wurde. Falls die Anlage während des Transportes beschädigt wurde, so soll dieser Umstand vor der Inbetriebnahme dem Lokaldistributor mitgeteilt werden.

Entfernen Sie bitte die Verpackung. Waschen Sie mit schonendem, reinigungsmittelhaltigem Warmwasser die innere Wand des Kühlschranks ab. Spülen Sie sie mit sauberem Wasser gründlich, dann wischen Sie sie trocken (siehe die Reinigungsanweisungen). Verwenden Sie weiches Material dabei.

Falls die Anlage während des Transportes auf die Seite gelegt wurde, oder sie in einer kalten Umgebung (bei einer Temperatur kleiner als 5 Grad C) gelagert wurde, möchten Sie sie erst nach einer Stunde nach Aufstellung einschalten.

Platzierung und Einschaltung

Platzierung

Aus Sicherheits - und Funktionsgründen darf die Anlage im Freien nicht installiert werden. Die Anlage soll auf einer ebenen Fläche, an einem trockenen, gut belüfteten Ort aufgestellt werden. Platzieren Sie sie nie neben einer Wärmequelle, wie Heizkörper oder Ofen und vermeiden Sie auch die direkte Sonnenbestrahlung.

Umgebungstemperatur

Die Klimaklasse ist vom Fabrikschild abzulesen. Die Klimaklasse bestimmt die optimale Umgebungstemperatur. Weinkühler in Winterfunktion können sogar bei so niedriger Temperatur, wie 6 Grad C betrieben werden.

Klimaklasse	optimale Raumtemperatur
SN	+10 °C - +32 Grad C
N	+16 °C - +32 Grad C
ST	+18 °C - +38 Grad C
T	+18 °C - +43 Grad C

Installation

Die Fläche, wo die Anlage aufgestellt wird, soll waagrecht sein. Verwenden Sie keine Rahmen oder Aehnliches.

Die Anlage kann auch als selbstständiges Element an die Wand gestellt , eingebaut als Küchenelement oder mit anderen Einrichtungen in die Reihe gestellt werden (Abb. 2-3)

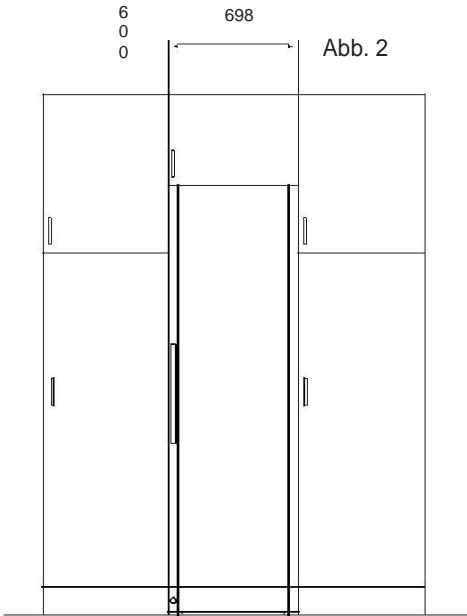


Abb. 2

Draufsicht der Anlage

Falls die Anlage an die Wand gestellt wird, soll der zur Verfügung stehende Raum ausreichen, die Tür weit genug aufzumachen und die Fächer auszuziehen. (Abb. 4)

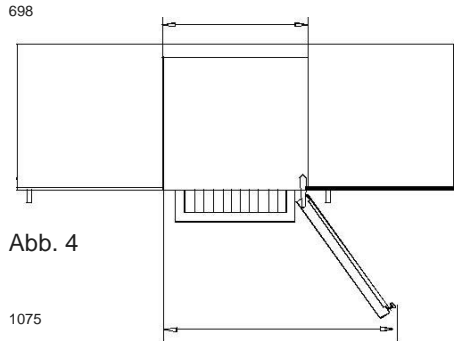


Abb. 4

Belüftung

Es ist wichtig die gute Belüftung der Anlage zu gewährleisten, die Luft sollte über und unter ihr und um sie herum ungehindert zirkulieren können. Die unteren Abbildungen zeigen, wie man die notwendige Luftzirkulation um die Anlage herum sichert (Abb. 5-6)

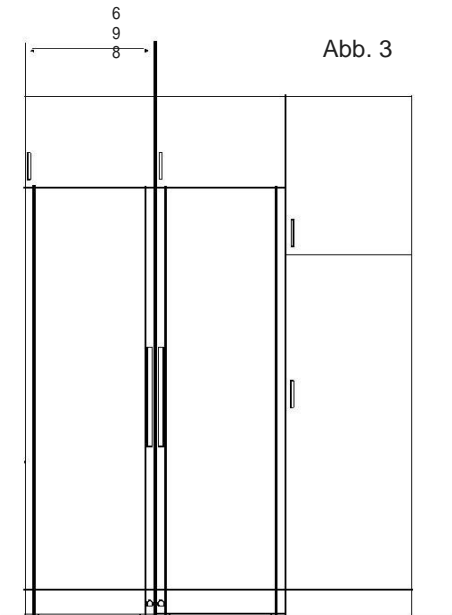
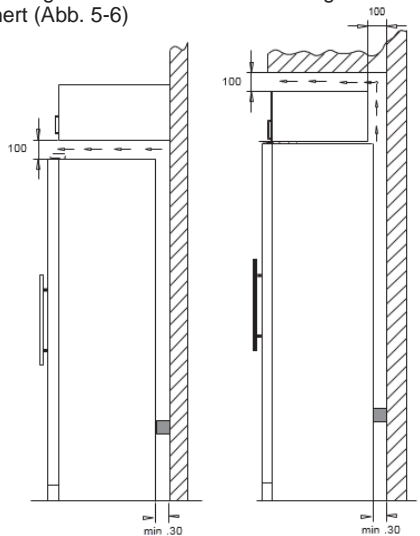


Abb. 3



Aufstellung

Es ist besonders wichtig, daß die Anlage in einer vollkommen waagerechter Lage ausgestellt wird. Die waagerechte Einstellung geschieht mittels der Stellfüße auf der Vorderseite der Anlage. (Abb. 7) Kontrollieren Sie mit Alkohol-Richtwaage die vollkommen waagerechte Lage der Anlage.

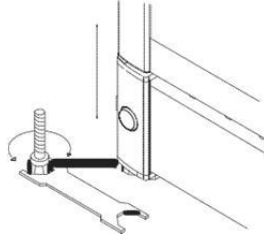
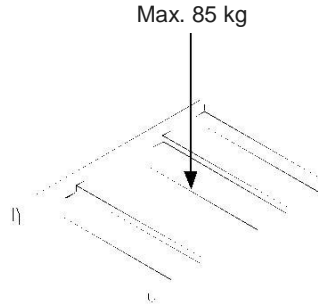


Abb. 7

Technische Daten

Die Anlage entspricht den bezüglichlichen EU-Richtlinien, der Richtlinie 2006/95/EK für Schwach-stromanlagen und der Verordnung 2004/108/EK für die elektromagnetische Kompatibilität. Das Fabrikschild enthält die verschiedenen technischen Informationen, so auch den Typ und die Seriennummer.



Betrieb und Funktion



Abb. 8

Die elektronische Kontrolle

Die elektronische Kontrolle gewährleistet die Temperatureinstellung, welche mittels fortschrittlicher Kontrolle des Kühlsystems erreicht ist. Der eingestellte Temperaturwert bleibt auch bei einem Strom-ausfall erhalten.

Die elektronische Kontrolle hat die folgenden Funktionen:

- Ein - und Ausschalten
- Beleuchtungsschaltung
- Temperatureinstellung
- Temperaturanzeige
- Alarm bei zu hoher oder zu niedriger Temperatur

Temperaturanzeige

Das Display zeigt die eingestellten Werte an. Die obere Zahl zeigt den eingestellten Wert für den oberen Bereich, die untere Zahl den eingestellten Wert für den unteren Bereich.

Einstellung der Temperatur:

Der Thermostat besitzt eine Kindersicherung. Sie kann mit dem gleichzeitigen Drücken der Tasten RAUF und RUNTER aktiviert werden. Ca. nach 3 Sekunden blinkt auf dem Display die Aufschrift „Pof“ auf. Nachher zeigt der Apparat die eingestellte Temperatur, wie üblich.

Die Kindersicherung kann abgeschaltet werden, indem man die Tasten RAUF und RUNTER ca. 3 Sekunden lang gedrückt hält, bis die Aufschrift „Pon“ aufblinkt. Nachher kann die Temperatur eingestellt werden.

Einstellung der Temperatur im oberen Bereich

Drücken Sie die Taste SET1. Die Temperatur im oberen Bereich des Apparates kann mit den Tasten RAUF und RUNTER eingestellt werden. Sie kann zwischen 17°C und 19°C reguliert werden.

Einstellung der Temperatur im unteren Bereich

Drücken Sie die Taste SET2. Die Temperatur im unteren Bereich des Apparates kann mit den Tasten RAUF und RUNTER eingestellt werden. Sie kann zwischen 7°C und 9°C reguliert werden.

Rat

Wir empfehlen Ihnen, immer eine Temperaturspalt von 10 ° C zwischen der Ober- und Unterseite des Gerätes gelegt.

Alarmfunktionen



Der Apparat verfügt über Temperatursensoren für zu hohe und zu niedrige Temperaturen.

Bei einer Fehlfunktion hört man einen Warnton und der Fehlercode erscheint am Display.

Alarm bei hoher Temperatur: Warnton + am Display erscheint Fehlercode „HtA“ und die aktuelle Temperatur


Alarm bei niedriger Temperatur: Warnton + am Display erscheint Fehlercode „LtA“ und die aktuelle Temperatur

Der Temperaturwert, welche ein Alarm auslöst, hängt von der eingestellten Temperatur ab.

Der Warnton kann mit Drücken einer beliebigen Taste abgeschaltet werden.

Solange der Fehler besteht, kann man auf dem Display den Fehlercode sehen.

Beleuchtung

Für die Ein- und Ausschaltung der Beleuchtung drücken Sie einmal. 

Lagerung in mehreren Kühlzonen

Die Einstellungen des Apparates entsprechen den Serviertemperaturen, im oberen Bereich 17°C im unteren Bereich 7°C. Mit diesen Einstellungen können die entsprechenden Temperaturen für die unterschiedlichen Weintypen vom unteren bis zum oberen Bereich erreicht werden:

Körperreiche Rotweine: von +16°C bis +19°C

Rosé und leichte Rotweine: von +12°C bis 16°C

Weißweine: von +10°C bis 12°C

Sekt und Schaumweine: von +8°C bis +10°C

Wir empfehlen, dass die Serviertemperatur der Weine um einige Grade niedriger gewählt wird als die gewünschte Trinktemperatur, weil sich der Wein im Glas leicht erwärmt.

Empfehlung

Wir empfehlen einen Temperaturunterschied von 10°C zwischen dem oberen und dem unteren Bereich.

Abtauen, Reinigung und Instandhaltung

Automatisches Abtauen

Der Weinkühler taut automatisch ab. Das Kondensat fließt durch ein Rohr in das Tablett über dem Kompressor, wo es durch die vom Kompressor entwickelte Wärme verdampft. Das Tablett soll von Zeit zu Zeit gereinigt werden.

Reinigung

Vor Beginn der Reinigung hat man die Anlage von der Spannung abzuschalen. Zur besten Reinigung des Schrankes verwendet man warmes Wasser (max. 65 Grad C) mit mildem Reinigungsmittel. Kratzende Mittel sollen vermieden werden, man nehme weiches Tuch und reibe trocken. Das Abtauwasserrohr, in dem das Kondenswasser vom Verdampfer geführt wird, wurde in der hinteren Wand des Schrankes, unten platziert und soll stets gereinigt sein. Im Jahr sollte man ein paar mal einige Tropfen Desinfektionsmittel (z. B. Rodalon) in das Abwasserrohr einbringen. Für die Reinigung nehme man Rohrbürste oder etwas Aehnliches. Verwenden Sie scharfe oder spitze Instrumenten.

Der Isolierstreifen um die Tür herum soll regelmäßig gereinigt werden um die Verfärbung zu verhindern und die Lebensdauer der Anlage zu verlängern. Man nehme sauberes Wasser. Nach der Reinigung des Streifens möchte man kontrollieren, ob er auch für das Weitere gut genug schließt.

Den Staub, der sich auf der Rückwand des Schrankes, auf dem Kompressor und auf dem Kompressorfach absetzt, entfernt man am besten mittels Staubsaugers.

Fehlersuche

Fehler	Die mögliche Ursache	Abhilfe
Die Anlage funktioniert nicht.	Die Anlage ist ausgeschaltet. Strom fällt aus.. Sicherung defekt. Die Anlage ist nicht korrekt ans Netz geschlossen.	Drücken Sie die Ein- und Ausschalttaste. Kontrolle, ob die Anlage vom Netz abgetrennt ist. Sicherung wechseln.
VWasser sammelt sich im Unterteil des Schrankes	Das Abführrohr für Kondenswasser ist verstopft.	Reinigen Sie das Abführkanal und den Eingang des Abführrohres auf der Rückwand des Schrankes.
Vibration oder störendes Geräusch	Der Schrank ist nicht waagrecht ausgerichtet. Die Anlage ist mit einem anderen Küchenelement in Kontakt. Das Geschirr oder die Flaschen im Schrank sind in Berührung.	Mit Hilfe einer Alkohol-Reichtwaage stellen Sie die Anlage waagrecht. Entfernen Sie die Anlage vom anderen Küchenelement oder vom anderen berührenden Teil. Bewegen Sie die Halter und/oder die Flaschen voneinander.
Der Kompressor geht ununterbrochen.	Die Temperatur des Raumes ist zu hoch.	Sorgen Sie für die entsprechende Belüftung des Raumes.
Auf der Anzeige erscheint P1.	Der Sensor ist abgetrennt oder hat Kurzschluß.	Rufen Sie das Service. Die Temperatur im Schrank bleibt bei dem Höheren der eingestellten zwei Werte, solange die Störung nicht behoben wird.

Haftung, Ersatzteile und Service

Haftung, Ersatzteile und Service

Die Haftung wird ausgeschlossen

bei - direkt oder indirekt - inkorrektem Betrieben, bei nicht bestimmungsgemäßem Gebrauch, bei unsachgemäßer Instandhaltung, bei unrichtigem Einbau, Installation oder Stromanschluß. Feuer, Un-fall, Blitz, Stromschwankung oder sonstige elektrische Interferenz - die unpassente Sicherung und den verkehrten Netzanschluß mit einbegriffen - sind weitere Gründe für den Ausschluß.

Reparaturen, die nicht vom berufenem Service ausgeführt wurden und weitere andere nicht auf Reparatur - und Materialfehler zurückzuführende Fehler und Schaden, wie durch Handwerker ausgeführt verursacht werden können, werden durch die Haftung auch nicht gedeckt.

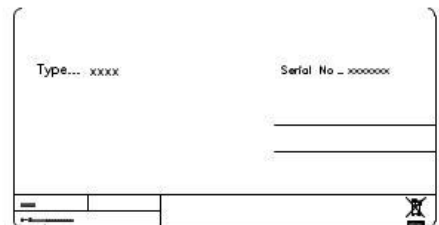
Es wird hier darauf hingewiesen daß die Aenderung der Konstruktion der Anlage, die Aenderung ihrer einzelnen Teile machen die Haftung für das Produkt ungültig, demzufolge ist der Gebrauch der Anlage gesetzwidrig. Die Zulassung auf dem Fabrikschild wird somit auch ungültig.

Bei Beschädigungen, die während des Transportes zustande kamen, haben sich vorerst der Käufer und der Distributor zu vereinbaren, d.h. der Distributor hat dafür zu sorgen, daß solche Reklamationen zur Befriedigung des Käufers erledigt werden.

Bevor Sie um technische Hilfe rufen, bitte, vergewissern Sie Sich, ob Sie selbst den Fehler beheben können. Wenn Ihre Nachfrage für Hilfeleistung haftungswidrig ist, z.B. die Anlage ist wegen einer defekten Sicherung oder inkorrekten Betriebs außer Betrieb, so haben Sie die Kosten der technischen Hilfeleistung zu tragen.

Ersatzteile

Bei der Bestellung der Ersatzteile geben Sie bitte den Typ, die Serie und die Produktnummer ihrer Anlage an. Diese Informationen sind vom Fabrikschild abzulesen. Das Fabrikschild führt die verschiedenen technischen Informationen auf, den Typ und die Seriennummer mit einbegriffen.



Produktnummer

Per la vostra sicurezza e per usare in modo corretto l'apparecchio, prima di installarlo ed utilizzarlo per la prima volta, leggere attentamente le presenti istruzioni comprese le avvertenze e i consigli utili che contengono. Per evitare di danneggiare l'apparecchio e/o di ferirsi, è importante che le persone che dovranno utilizzarlo abbiano piena conoscenza del suo funzionamento e delle sue funzioni di sicurezza. Conservare queste istruzioni per futura consultazione e tenerle vicino all'apparecchio, in modo che in caso di vendita o di trasloco siano consegnate assieme all'apparecchio. Sarà così possibile garantire il funzionamento ottimale dell'apparecchio.

Per evitare il rischio di lesioni, conservare le presenti istruzioni. Il produttore non potrà essere ritenuto responsabile se l'apparecchio viene maneggiato in modo scorretto.

Sicurezza dei bambini e delle persone vulnerabili

- Questo apparecchio può essere utilizzato da bambini di età pari o superiore agli 8 anni e da persone con ridotte capacità fisiche, sensoriali o mentali o senza esperienza e conoscenza a patto che vengano sorvegliati o istruiti sull'utilizzo dell'apparecchio in sicurezza e che capiscano i pericoli connessi all'utilizzo dello stesso. I bambini non devono giocare con l'apparecchio. Le operazioni di pulizia e di manutenzione effettuate dall'utilizzatore non devono essere eseguite da bambini, a meno che non abbiano un'età superiore agli 8 anni e sotto la supervisione di un adulto.
 - Conservare il materiale d'imballo fuori dalla portata dei bambini. Pericolo di soffocamento.
 - Al momento di smaltire l'apparecchio, staccare la spina dalla presa di corrente, tagliare il cavo di alimentazione (il più vicino possibile all'apparecchio) e smontare la porta per evitare che i bambini giocando prendano la scossa o restino intrappolati dentro l'apparecchio.
 - Se questo apparecchio, dotato di una guarnizione magnetica sulla porta, va a sostituire un altro apparecchio dotato di chiusura a molla sulla porta o sull'anta, accertarsi di rendere inutilizzabile la chiusura a molla prima di gettare il vecchio apparecchio. In questo modo si evita che i bambini possano restare intrappolati dentro l'apparecchio.
- et

Avvertenze di sicurezza generali

- **ATTENZIONE** — Questo apparecchio è destinato ad un uso domestico.
- **ATTENZIONE** — Non riporre mai sostanze infiammabili come gli spray all'interno dell'apparecchio perché potrebbero fuoriuscire.
- **ATTENZIONE** — Se il cavo di alimentazione è danneggiato, farlo sostituire immediatamente dal produttore o da un rivenditore qualificato per evitare il rischio di scossa elettrica.
- **ATTENZIONE** — Tenere le ventilazioni ben aperte e controllare attentamente che l'aria possa circolare dalle aperture, soprattutto se l'apparecchio è incassato nella parete.
- **ATTENZIONE** — Non danneggiare il circuito di refrigerazione.
 - **ATTENZIONE** — Non usare apparecchiature elettriche all'interno dello scomparto, a meno che non siano del tipo consigliato dal produttore.
 - **ATTENZIONE** — Il sistema refrigerante e isolante contengono gas infiammabili. Quando si smaltisce l'apparecchio, conferirlo in un centro per la raccolta differenziata autorizzato. Non esporre mai l'apparecchio alle fiamme.

Liquido refrigerante

Nel circuito refrigerante di questo apparecchio è utilizzato l'isobutano refrigerante (R600a), che è un gas naturale altamente infiammabile e quindi pericoloso per l'ambiente. Quando si trasporta e si installa l'apparecchio, controllare che nessun componente del circuito di refrigerazione sia danneggiato. Il refrigerante (R600a) è un liquido infiammabile.

Attenzione: rischio di incendio

Se il circuito di refrigerazione fosse danneggiato:

- Evitare le fiamme libere e qualsiasi fonte di accensione.
- Ventilare bene il locale in cui si trova l'apparecchio.

È pericoloso modificare in qualsiasi modo la composizione di questo apparecchio.

Se il cavo elettrico viene danneggiato, si può provocare un cortocircuito e/o una scossa elettrica.

Sicurezza elettrica

- Non possiamo essere ritenuti responsabili di eventuali incidenti causati da un'installazione elettrica mal effettuata.
- Il cavo di alimentazione non deve essere allungato. Non vanno usate prolunghes né adattatori né prese multiple.
- Controllare attentamente che la presa a muro non sia danneggiata. Una presa a muro in cattive condizioni potrebbe causare il surriscaldamento dell'apparecchio e la sua esplosione.
- Accertarsi di poter raggiungere comodamente la presa a muro a cui è collegato l'apparecchio.
- Non tirare mai il cavo di alimentazione.
- Non eliminare mai la messa a terra.
 - Se la presa a muro è allentata, non collegare il cavo. Rischio di scossa elettrica o di incendio.
 - Non si deve mai utilizzare l'apparecchio se il coperchio dell'illuminazione interna non è al suo posto.

- Scollegare l'apparecchio dalla corrente prima di sostituire la lampadina.
- Questo apparecchio funziona con corrente monofase 220~240V/50Hz. L'apparecchio deve essere collegato a una presa elettrica a muro messa a terra secondo le normative vigenti.
- Se il cavo di alimentazione è danneggiato, non sostituirlo da soli ma rivolgersi al servizio assistenza.
- La spina elettrica deve poter essere facilmente raggiungibile ma comunque restare fuori dalla portata dei bambini. In caso di dubbi, rivolgersi per consiglio al proprio installatore.

Uso quotidiano

- Non conservare mai sostanze o liquidi infiammabili all'interno dell'apparecchio. Rischio di esplosione.
- Non far funzionare altre apparecchiature elettriche all'interno di questo apparecchio (mixer, gelatiere elettriche, ecc.).
- Per scollegare l'apparecchio dalla presa di corrente, estrarre la spina afferrandola con le mani e non tirare dal cavo.
- Non esporre mai l'apparecchio direttamente al sole.
- L'apparecchio deve essere tenuto lontano da candele, lampade e altre fiamme libere per evitare il rischio di incendio.
- Questo apparecchio è destinato esclusivamente alla conservazione di vini e bevande.
- L'apparecchio è pesante. Fare attenzione quando lo si deve spostare.
- Se l'apparecchio è dotato di ruote, ricordarsi che servono soltanto per rendere più agevoli le piccole manovre. Non spostarlo per lunghi tragitti.
- Non usare mai l'apparecchio o i suoi elementi come punto d'appoggio.
- Non sovraccaricare gli scomparti dell'apparecchio per evitare la caduta di oggetti che possono danneggiarlo.

Attenzione! Pulizia e manutenzione

- Prima di effettuare la manutenzione, scollegare l'apparecchio per togliere la corrente.
- Non pulire l'apparecchio usando oggetti metallici, generatori di vapore, oli volatili, solventi organici o componenti abrasivi.
- Non usare oggetti taglienti o appuntiti per togliere il ghiaccio, ma servirsi di un raschietto di plastica.

Informazioni importanti per l'installazione!

- Per effettuare i collegamenti elettrici in modo corretto, seguire attentamente le indicazioni contenute nelle presenti istruzioni.
- Togliere l'apparecchio dall'imballo e ispezionarlo per controllare che non sia danneggiato. Non collegare l'apparecchio alla corrente se è danneggiato. Se si riscontrano dei danni, bisogna avvisare il punto vendita in cui è stato acquistato. In tal caso, conservare l'imballo.
- Si raccomanda di aspettare almeno quattro ore prima di collegare l'apparecchio alla corrente, in modo che il compressore sia ben alimentato con l'olio.
- Per evitare il rischio di surriscaldamento, è necessario che ci sia una buona circolazione d'aria attorno all'apparecchio. Seguire attentamente le istruzioni di installazione fornite per garantire una ventilazione adeguata.
- Per quanto possibile, evitare che l'apparecchio tocchi le pareti e/o sia a contatto con elementi caldi (compressore, condensatore) per evitare il rischio di incendio. Rispettare sempre tutte le istruzioni di installazione.
- L'apparecchio non deve essere collocato vicino a radiatori o fornelli.
- Dopo aver installato l'apparecchio, controllare di avere libero accesso alle prese.

RISPARMIO ENERGETICO

Per limitare il consumo di energia elettrica dell'apparecchio:

- Installarlo in un luogo adatto (vedi capitolo "Installazione dell'apparecchio").
- Tenere le porte aperte il meno possibile.
- Per un funzionamento ottimale dell'apparecchio, ricordarsi di pulire periodicamente il condensatore (vedi capitolo "Manutenzione corrente dell'apparecchio").
- Controllare periodicamente le guarnizioni delle porte e verificare che si chiudano sempre bene. In caso contrario, rivolgersi al servizio assistenza.

Risoluzione dei problemi

- Tutti gli interventi elettrici devono essere effettuati da un tecnico qualificato e competente.
- Per qualsiasi riparazione, rivolgersi a un Centro Riparazioni Autorizzato e richiedere l'uso esclusivo di pezzi di ricambio originali.

Questo apparecchio è destinato solo ad uso domestico.
Il produttore non può essere ritenuto responsabile in caso di altro utilizzo.



R600a

Istruzioni di sicurezza

Attenzione: non ostruire nessuna griglia di ventilazione dell'apparecchio.

Attenzione: non conservare all'interno dell'apparecchio sostanze esplosive come le bombolette spray con gas infiammabile.

Attenzione: non danneggiare il circuito frigorifero dell'apparecchio.

Attenzione: le unità di refrigerazione funzionano con isobutano (R600a); non possono essere collocate in una zona con fonti di accensione (per esempio contatti elettrici staccati o se il fluido frigorifero potrebbe raccogliersi in caso di perdite). Il tipo di fluido frigorifero è indicato sulla targhetta informativa dell'apparecchio.

Attenzione: non usare apparecchiature elettriche all'interno degli scomparti dell'apparecchio, a meno che non siano del tipo consigliato dal produttore.

IT

Questo apparecchio è conforme a tutte le direttive europee vigenti e alle loro eventuali modifiche ed è conforme in particolare alle seguenti norme:

1907/2006

(REACH)

2011/65/EU

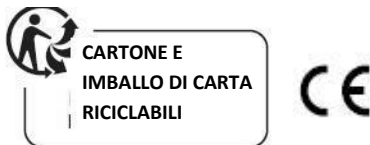
(ROHS)

2006/95/CE relativa alla sicurezza elettrica

2004/108/CE relativa alla compatibilità

**elettromagnetica 2008/48 relativa al campo
elettromagnetico**

2010/30 e 1060/2010 relative all'etichettatura energetica



PROTEZIONE DELL'AMBIENTE



I materiali d'imballo di questo apparecchio sono riciclabili.

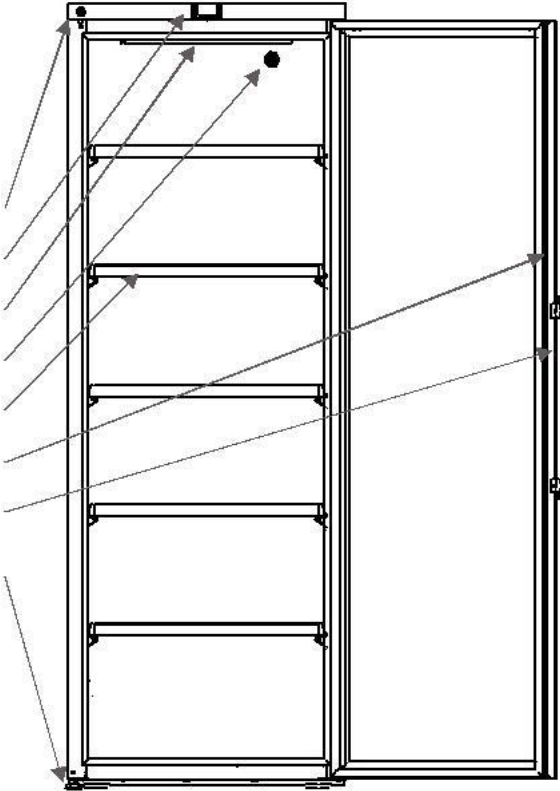
Ricordarsi di riciclarli gettandoli negli appositi cassonetti per contribuire a proteggere l'ambiente.

Anche l'apparecchio è costituito da molti materiali riciclabili. Riporta quindi il simbolo del cassonetto barrato ad indicare che una volta giunto a fine vita non deve essere gettato assieme agli altri rifiuti. Il riciclaggio degli apparecchi organizzato dal produttore potrà così essere realizzato nelle migliori condizioni, ai sensi della direttiva europea 2002/96/CE sui rifiuti di apparecchiature elettriche ed elettroniche. Rivolgersi ai servizi del proprio comune o al proprio rivenditore per informazioni sui centri di raccolta differenziata degli apparecchi usati più vicini al proprio domicilio. Vi ringraziamo per la vostra collaborazione alla protezione dell'ambiente.

PRODOTTO LED DI 1. CLASS

Descrizione della cantina frigo

- Chiusura
- Pannello comandi
- Lampada
- Filtro al carbone
- Ripiano in legno
- Guarnizione
- Maniglia
- Piede regolabile



Avvertenze
Descrizione della cantina frigo
Prima della messa in funzione
Collocazione e accensione.....
Dati tecnici.....
Funzionamento e funzioni
Sbrinamento, pulizia e manutenzione .
Problemi e soluzioni.....
Garanzia, ricambi e assistenza tecnica ..
Smaltimento dei prodotti al termine del ciclo di vita.....

Prima della messa in funzione

Nel momento di accettazione verificare se l'apparecchio eventualmente si è danneggiato durante il trasporto. Se l'apparecchio si è danneggiato durante il trasporto in ogni caso è necessario informarne il distributore locale, prima di mettere in funzione l'apparecchio.

Togliere l'imballaggio. Lavare le pareti interne del frigorifero con acqua calda contenente detergente delicato. Risciacquare con acqua pulita e asciugare bene (vedi le istruzioni per la pulizia). Usare un panno morbido.

Se l'apparecchio è stato trasportato in posizione orizzontale o in ambiente freddo (sotto +5°C), dopo averlo messo in posizione verticale è necessario aspettare almeno un'ora prima di accenderlo.

Installazione e accensione

Collocazione

Per motivi di sicurezza e di funzionamento l'apparecchio non deve essere usato all'aperto.

Collocare l'apparecchio su una superficie piana e asciutta, in un ambiente ben ventilato. Non collocarlo vicino a sorgenti di calore, p. es. radiatori o fornelli o in posizione raggiunta dalla luce solare diretta.

Temperatura dell'ambiente

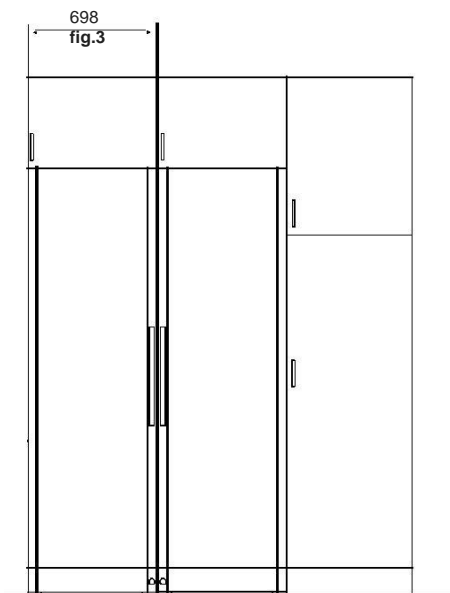
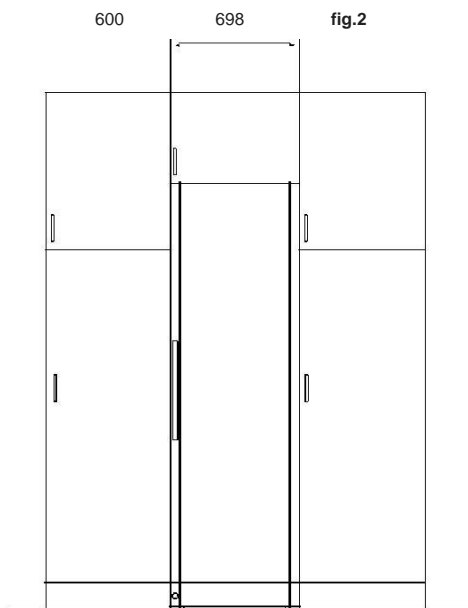
La classe climatica è riportata nell'etichetta. La classe climatica indica le temperature ambientali ideali per il funzionamento. In modalità inverno le cantine frigo per vini funzionano anche in ambienti aventi una temperatura di 6°C.

Classe climatica	Temperatura ambientale ideale
SN	+10 °C - +32 °C
N	+16 °C - +32 °C
ST	+18 °C - +38 °C
T	+18 °C - +43 °C

Collocazione

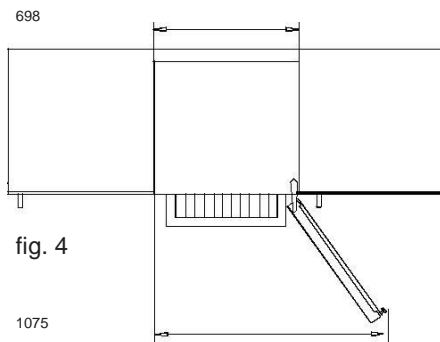
Collocare l'apparecchio su una superficie piana. Non usare telaio o cose simili.

L'apparecchio può essere posizionato libero, vicino al muro, oppure incorporato in un armadio o posizionato vicino ad altri apparecchi (figg. 2-3)



Disegno planimetrico dell'apparecchio

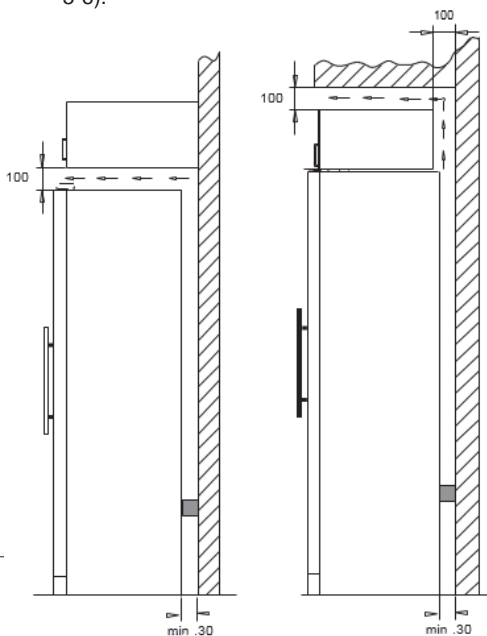
Se l'apparecchio viene collocato vicino al muro lasciare abbastanza spazio per poter aprire la porta in modo che si possa estrarre i ripiani (fig. 4).



Aerazione

L'aerazione adeguata è molto importante pertanto sopra, sotto e intorno all'apparecchio è necessario lasciare spazio sufficiente per l'aerazione.

Le seguenti figure forniscono delle soluzioni per garantire la giusta aerazione dell'apparecchio (fig. 5-6).



Installazione

È importante che l'apparecchio sia in posizione assolutamente orizzontale. Si può regolare la posizione mediante i piedini regolabili (fig. 7). Verificare la precisa posizione orizzontale dell'apparecchio mediante una livella a bolla (ad alcol).

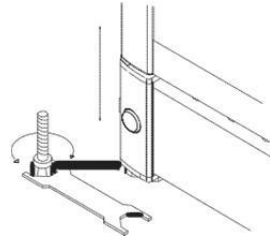


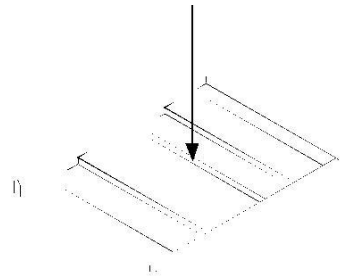
Fig. 7

Dati tecnici

L'apparecchio risponde alle rispettive direttive UE – Direttiva 2006/95/CE relativa ai dispositivi a bassa tensione, Direttiva 2004/108/CE relativa alla compatibilità elettromagnetica.

Nell'etichetta sono forniti i diversi dati tecnici, nonché il tipo e il numero di serie.

Max. 85 kg



Funzionamento e funzioni



fig. 8

Controllo elettronico

L'impostazione della temperatura è garantita da un controllo elettronico. Questo avviene mediante il controllo evoluto del sistema di refrigerazione. Il valore impostato di temperatura rimane conservato anche in caso di interruzione della corrente.

Il controllo elettronico ha le seguenti funzioni:

- Accensione/spengimento
- Accensione luce
- Impostazione della temperatura
- Visualizzazione della temperatura
- Allarme in caso di temperature troppo alte o basse

Indicatore di temperatura:

Il display mostra le temperature impostate. Le cifre superiori sul display indicano la temperatura impostata per la parte superiore dell'apparecchio, mentre le cifre inferiori mostrano la temperatura impostata per la parte inferiore.

Impostazione di temperature:

Il termostato è dotato di un dispositivo di sicurezza per la protezione dei bambini. Questo dispositivo si attiva premendo contemporaneamente i tasti “su” e “giù”. Passati circa 3 secondi sul display lampeggerà la scritta “Pof”. Successivamente appariranno di nuovo le temperature impostate.

Il dispositivo di sicurezza per la protezione dei bambini può essere disattivato premendo contemporaneamente i tasti “su” e “giù” per circa 3 secondi, finché sul display appare e lampeggia la scritta “Pon”.

Dopo si possono impostare le temperature.

Impostazione della temperature nella parte superiore dell'apparecchio

Premere il pulsante SET1. Procedere all'impostazione della temperatura per la parte superiore dell'apparecchio con i tasti “su” e “giù”. La temperatura può essere regolata da 17 a 19°C.

Impostazione della temperature nella parte inferiore dell'apparecchio


Premere il pulsante SET2. Procedere all'impostazione della temperatura per la parte inferiore dell'apparecchio con i tasti “su” e “giù”. La temperatura può essere regolata da 7 a 9°C.

Consigli

Si consiglia di mettere sempre un gap temperatura di 10 ° C tra la parte superiore e inferiore dell'apparecchio.

Allarmi:

L'apparecchio è munito di sensori per rilevare la temperatura bassa e alta.

L'allarme provoca l'emissione di un segnale acustico e visualizza il codice appartenente sul display. 

Allarme per alta temperatura: bip sonoro + visualizzazione del codice “HTA” e dell'attuale temperatura sul display.


Allarme per bassa temperatura: bip sonoro + visualizzazione del codice “LTA” e dell'attuale temperatura sul display.

La temperatura di allarme è definita dalle temperature impostate.

Il segnale acustico può essere disattivato premendo qualsiasi pulsante.

Il codice di allarme viene visualizzato sul display fino all'eliminazione del motivo.

Illuminazione

Per attivare o disattivare la luce premere una volta il pulsante .

Stoccaggio multi-zona

Le impostazioni dell'apparecchio sono idonee alle tipiche temperature di servizio del vino, nella parte superiore è 17°C, nella parte inferiore è 7°C. Con queste impostazioni si possono ottenere varie temperature richieste per i vari tipi di vino, rispettivamente nella parte superiore e inferiore dell'apparecchio:

Vini rossi corposi: da +16°C a +19°C

Rosé e vini rossi leggeri: da +12°C a 16°C

Vini bianchi: da +10°C a 12°C

Champagne e vini spumanti: da +8°C a +10°C

È raccomandabile che la temperatura del vino servito sia inferiore di qualche grado della temperatura di consumo desiderato perché il vino si scalda nel bicchiere.

Consiglio

Si consiglia di mantenere una differenza di 10°C tra la parte superiore e inferiore dell'apparecchio

Sbrinamento, pulizia e manutenzione

Sbrinamento automatico

Lo sbrinamento della cantina frigo è automatico. L'acqua di sbrinamento defluisce per un tubo nella vaschetta situata sopra il compressore e si evapora grazie al calore prodotto dal compressore. Ogni tanto è necessario pulire la vaschetta.

Pulizia

Prima di pulire l'apparecchio staccare l'alimentazione. Per lavare l'interno del frigorifero è consigliato l'uso dell'acqua calda (max. 65°C) contenente un detergente delicato. Non usare detersivi abrasivi. Usare un panno morbido. Risciacquare l'acqua contenente il detergente e asciugare l'interno del frigorifero con un panno asciutto. Il tubo di scarico dell'acqua di condensa si trova nella parete posteriore del frigorifero. Mantenere pulito il tubo. Alcune volte all'anno inserire nel tubo di scarico alcune gocce di una sostanza disinfettante, p. es. Rodalon. Pulire il tubo con sostanze adeguate per la pulizia di tubi o altre sostanze simili. Non usare mai oggetti contundenti o affilati.

Pulire regolarmente le guarnizioni perimetrali della porta per prevenire il cambiamento di colore e per garantirgli una lunga durata. Per la pulizia di esse usare acqua pulita. Dopo averle pulite verificare se

garantiscono una chiusura precisa.

La polvere che si deposita sul condensatore, sul compressore e nell'alloggio del compressore, situati alla parte posteriore del frigorifero, può essere rimossa il più facilmente con un aspirapolvere.

Problemi e soluzioni

Colpa	Causa possibile	Rimedio
L'apparecchio non lavora	L'apparecchio è spento. Mancanza di corrente; il fusibile è bruciato; l'apparecchio non è collegato correttamente.	Premere l'interruttore di accensione / spegnimento. Verificare che l'alimentazione sia collegata. Ripristinare il fusibile.
Acqua sul fondo del mobile.	Il tubo acqua di sbrinamento è bloccata.	Pulire il canale dell'acqua di sbrinamento ed il foro di scarico sulla parete posteriore del mobile.
Vibrazioni o rumori fastidiosi.	L'apparecchio non è in piano. L'apparecchio è appoggiato altri elementi della cucina. Contenitori o bottiglie all'interno dell'armadio sbattono tra di loro.	Livellare l'apparecchio con una livella a bolla. Spostare l'apparecchio lontano dagli elementi della cucina o appli-ANCES è in contatto con. Spostare i contenitori e / o bottiglie una parte.
Il compressore continuamente.	Alta temperatura ambiente.	Prevedere una ventilazione adeguata.
P1 viene visualizzata sulla Display.	Il sensore superiore è scollegati o in corto circuito.	Chiamare l'assistenza. La temperatura all'interno di tutto il mobile è nuto tenzione al maggiore dei due valori di riferimento fino a quando l'errore è stato corretto.
P2 viene visualizzata sulla Display.	Il sensore inferiore è scollegata o in corto circuito.	Chiamare l'assistenza. La temperatura all'interno di tutto il mobile è nuto tenzione al maggiore dei due valori di riferimento fino a quando l'errore è stato corretto.

Garanzia, ricambi ed assistenza tecnica

Esclusione della garanzia

In caso di guasti o danni dovuti – direttamente o indirettamente – all'esercizio scorretto, uso improprio, scarsa manutenzione, scorretta installazione, messa in servizio o allacciamento alla rete di alimentazione, in caso di guasti o danni dovuti a incendio, incidente, colpo di fulmine, fluttuazione di tensione o altre interferenze elettriche, compreso il fusibile guasto e l'allacciamento guasto alla rete elettrica, nonché in caso di guasti e danni dovuti a riparazioni eseguite da tecnici non autorizzati dal centro di assistenza tecnica e in caso di guasti e danni relativamente ai quali il produttore dimostra che il guasto o il danno non è riconducibile a difetti di fabbricazione o di materiale, la garanzia non è valida.

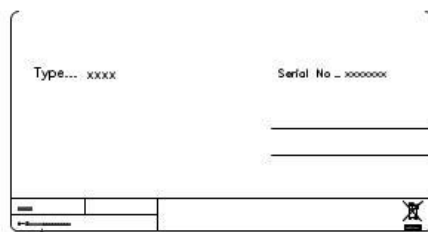
Richiamiamo l'attenzione che in caso di modifiche non autorizzate della struttura o delle parti dell'apparecchio sia la garanzia che la responsabilità relativa al prodotto perdono efficacia e da allora in poi l'apparecchio non sarà utilizzabile legalmente. Anche l'approvazione presente nell'etichetta dati perderà ogni sua validità.

Per quanto riguarda gli eventuali danni riconducibili al trasporto e rilevati dal cliente, in primo luogo devono trovare la soluzione il cliente e il distributore cioè il distributore deve provvedere affinché il problema costestato sia risolto alla soddisfazione del cliente.

Prima di chiedere un'assistenza tecnica la preghiamo di verificare se eventualmente lei stesso riesce a risolvere il problema. Se il cliente chiede l'assistenza tecnica senza un buon motivo cioè, per esempio, il guasto dell'apparecchio è dovuto ad un fusibile guasto o all'uso improprio dell'apparecchio, il cliente dovrà sostenere le spese dei servizi di assistenza tecnica.

Ricambi

Per ordinare ricambi è necessario indicare il tipo, numero di serie e numero di articolo dell'apparecchio. Le predette informazioni sono presenti nell'etichetta dati. Nell'etichetta dati sono presenti vari dati tecnici tra cui il tipo e il numero di serie.



Por su seguridad y para utilizar correctamente el aparato, antes de instalarlo y utilizarlo por primera vez, lea atentamente este manual, así como las advertencias y los consejos útiles que contiene. Con la finalidad de evitar que usted resulte herido innecesariamente o que el aparato se estropee, es importante que las personas que vayan a utilizarlo conozcan completamente su funcionamiento, así como sus funciones de seguridad. Conserve estas instrucciones para futuras consultas y guárdelas junto al aparato, de modo que acompañen a este último en caso de que se venda o traslade a otro lugar. Así se garantizará el correcto funcionamiento del mismo.

Conserve este manual para evitar cualquier riesgo de lesiones. El fabricante declina toda responsabilidad en caso de manipulación incorrecta del aparato.

Seguridad de los niños y demás personas vulnerables

- Este aparato pueden utilizarlo niños de 8 años o más, personas con capacidad física, sensorial o mental reducida o personas que no hayan aprendido a utilizar el aparato, siempre que estén bajo la supervisión de una persona informada y consciente de los riesgos que ello implica. Los niños no deben jugar con el aparato. La limpieza y el mantenimiento del aparato no deben llevarlos a cabo niños, excepto si son mayores de 8 años y están vigilados.
- Mantenga todos los componentes del embalaje fuera del alcance de los niños, ya que existe riesgo de asfixia.
- Si decide desechar el aparato, desenchúfelo de la toma mural, corte el cable de conexión (tan cerca del aparato como le sea posible) y retire la puerta para impedir que los niños jueguen con ella y se electrocuten o se encierren en el interior del aparato.
- Si el aparato, provisto de una junta de puerta magnética, debe reemplazarse por otro aparato provisto de un pestillo en la puerta o en la junta, compruebe que dicho pestillo no funciona antes de deshacerse del aparato. De este modo, se evitará que el aparato se convierta en una trampa para los niños.
- Mantenga el aparato y el cable fuera del alcance de niños menores de 8 años.

Seguridad general

- **ATENCIÓN:** Este aparato se ha diseñado para un uso doméstico.
- **ATENCIÓN:** No guarde bajo ninguna circunstancia sustancias inflamables como aerosoles dentro del aparato, ya que podrían derramarse.
- **ATENCIÓN:** Si el cable de alimentación está estropeado, deberá reemplazarlo inmediatamente solicitándolo al fabricante o a un distribuidor cualificado para evitar cualquier riesgo de electrocución.
- **ATENCIÓN:** Mantenga los orificios de ventilación abiertos y compruebe que el aire circule correctamente por las aberturas, sobre todo si el aparato está empotrado en la pared.
- **ATENCIÓN:** No estropee el circuito de refrigeración.
- **ATENCIÓN:** No utilice aparatos eléctricos dentro del compartimento, excepto si estos últimos son aceptados por el fabricante.
- **ATENCIÓN:** El sistema refrigerante y el sistema aislante contienen gases inflamables. Cuando deseche el aparato, hágalo en un punto de recogida autorizado. No exponga el aparato en ningún caso a las llamas.

Líquido refrigerante

En el circuito refrigerante del aparato se utiliza isobutano refrigerante (R600a). Se trata de un gas natural sumamente inflamable y, por tanto, peligroso para el medio ambiente. Compruebe que no se dañe ninguno de los componentes del circuito de refrigeración durante el transporte y la instalación del aparato. El refrigerante (R600a) es un líquido inflamable.

Atención: Riesgo de incendio

Si el circuito de refrigeración resultara dañado:

- Evite las llamas abiertas y cualquier otra fuente de inflamación.
- Ventile bien la habitación en la que se encuentre el aparato.

Es peligroso realizar cualquier tipo de modificación que afecte a la composición del aparato.

Cualquier daño provocado al cable puede causar un cortocircuito o una electrocución.

Seguridad eléctrica

- Declinamos toda responsabilidad en caso de incidente causado por una mala instalación eléctrica.
- El cable de alimentación no debe alargarse. No utilice ningún alargador, ningún adaptador ni ninguna toma múltiple.
- Compruebe que la toma mural no esté dañada. Una toma mural en mal estado puede ocasionar un calentamiento excesivo del aparato y su explosión.
- Compruebe que puede acceder a la toma mural del aparato.
- No tire en ningún caso del cable principal.
- No elimine en ningún caso la toma de tierra.
- Si la toma mural está floja, no enchufe el cable. Existe riesgo de electrocución o incendio.
- En ningún caso debe utilizar el aparato si el protector de la iluminación interior no está instalado.
- Desconecte el aparato antes de cambiar la bombilla.
- Este aparato funciona con una corriente monofásica de 220~240 V/50 Hz. El aparato debe utilizar una toma mural conectada a tierra según las recomendaciones vigentes.
- Si el cable de alimentación está estropeado, no lo reemplace. Póngase en contacto con el servicio posventa.
- La toma de corriente debe estar accesible fácilmente pero fuera del alcance de los niños. En caso de duda, consulte al instalador.

Utilización diaria

- No almacene en ningún caso sustancias ni líquidos inflamables dentro del aparato, pues implicaría un riesgo de explosión.
- No ponga en funcionamiento otros aparatos eléctricos dentro del aparato (batidoras, heladeras eléctricas, etc.).
- Cuando desenchufe el aparato, agarre la toma con las manos y no tire del cable.
- No exponga el aparato directamente al sol.
- El aparato debe mantenerse alejado de velas, luminarias y demás llamas abiertas para evitar riesgos de incendio.
- Este aparato está destinado exclusivamente al almacenamiento de vino y bebidas.
- El aparato es pesado. Sea prudente cuando tenga que desplazarlo.
- Si el aparato está provisto de ruedas, recuerde que estas sirven únicamente para facilitar pequeños movimientos. No lo desplace en trayectos largos.
- No utilice en ningún caso el aparato o sus elementos para apoyarse.
- Para evitar que caigan objetos e impedir el deterioro del aparato, no sobrecargue los compartimentos del aparato.

Atención: Limpieza y mantenimiento

- Antes de realizar el mantenimiento, desconecte el aparato y corte la corriente.
- No limpie el aparato con objetos metálicos, sistemas a vapor, aceites volátiles, disolventes orgánicos o componentes abrasivos.
- No utilice objetos cortantes ni puntiagudos para retirar el hielo. Utilice un rascador de plástico.

Información importante acerca de la instalación

- Para que las conexiones eléctricas sean correctas, siga las instrucciones que se proporcionan en este manual.
- Desembale el aparato y compruebe visualmente que no esté dañado. No conecte el aparato si está dañado. Indique los daños constatados en el punto de venta donde lo haya adquirido. En ese caso, conserve el embalaje.
- Se recomienda esperar al menos cuatro horas para conectar el aparato a la corriente para que el compresor cuente con el aceite suficiente.
- Se requiere una buena circulación del aire para evitar riesgos de sobrecalentamiento. Para que la ventilación sea suficiente, siga correctamente las instrucciones de instalación proporcionadas.
- Cuando sea posible, evite que el aparato toque las paredes murales o entre en contacto con elementos calientes (compresor, condensador) para evitar riesgos de incendio. Respete en todo momento las instrucciones de instalación.
- El aparato no debe estar situado cerca de radiadores o de fogones de cocción.
- Una vez que se haya instalado el aparato, compruebe que se puede acceder bien a las tomas.

AHORRO DE ENERGÍA

Siga las siguientes recomendaciones para limitar el consumo eléctrico del aparato:

- Instálelo en un lugar adecuado (véase el capítulo «Instalación del aparato»).
- Mantenga las puertas abiertas el menor tiempo posible.

No introduzca alimentos que aún estén calientes en el aparato.

- Para que el aparato funcione correctamente, limpie periódicamente el condensador (véase el capítulo «Mantenimiento normal del aparato»).
- Revise periódicamente las juntas de las puertas y asegúrese de que cierren siempre correctamente. Si no es así, póngase en contacto con el servicio posventa.

Reparación de averías

- Las operaciones eléctricas debe efectuarlas un técnico cualificado y competente.
- Este aparato debe repararlo un centro de reparación autorizado y solo deben utilizarse piezas originales.

Este aparato está reservado para uso doméstico exclusivamente. El fabricante declina toda responsabilidad si el aparato se destina a otros usos.



R600a

Instrucciones de seguridad

Atención: No obstruya ninguna rejilla de ventilación del aparato.

Atención: No almacene sustancias explosivas como esprays de aerosol inflamables con propulsor en este aparato.

Atención: No estropee el circuito frigorífico del aparato.

Atención: Las unidades de refrigeración que funcionan con isobutano (R600a) no pueden ubicarse en zonas con fuentes de ignición (por ejemplo, contactos eléctricos no sellados o lugares en los que se acumule fluido frigorígeno en caso de fuga). El tipo de fluido frigorígeno se indica en la placa descriptiva del armario.

Atención: No utilice aparatos eléctricos en los compartimentos del aparato, excepto si son del tipo recomendado por el fabricante.

Este aparato cumple todas las directivas europeas vigentes y sus posibles modificaciones y, concretamente, las normas siguientes:

1907/2006 (REACH),

2011/65/EU (ROHS),

2006/95/CE (relativa a la seguridad eléctrica),

2004/108/CE (relativa a la compatibilidad electromagnética), 2008/48

(relativa al campo electromagnético),

2010/30 y 1060/2010 (relativas al etiquetado energético).



CE

PROTECCIÓN DEL MEDIO AMBIENTE



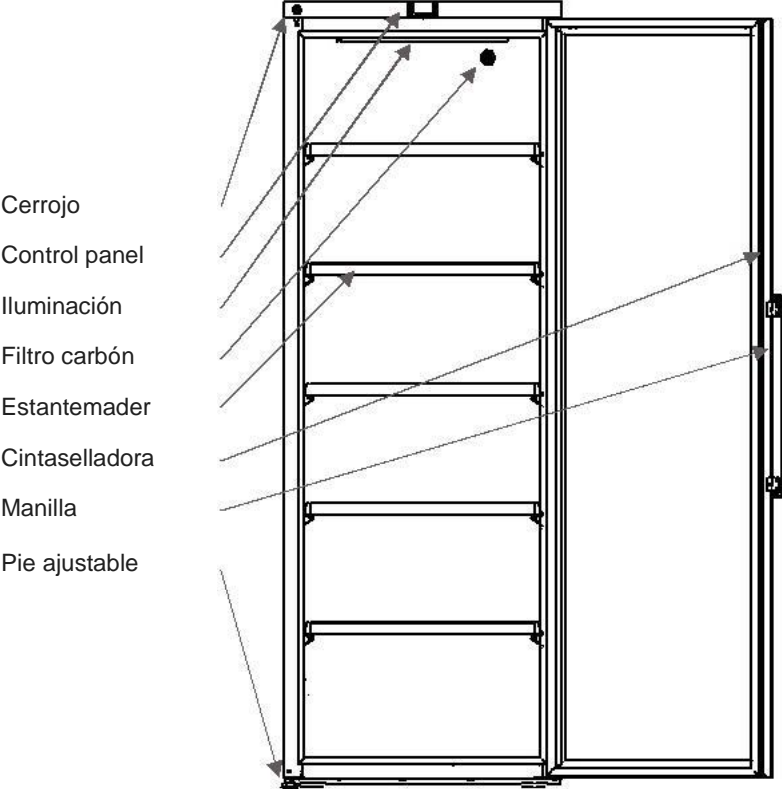
Los materiales de embalaje de este aparato son reciclables.

Participe en su reciclaje y contribuirá así a proteger el medio ambiente depositándolos en los contenedores municipales previstos a tal efecto.

El aparato contiene también numerosos materiales reciclables. Por ese motivo, cuenta con este logotipo para indicarle que los aparatos usados no deben mezclarse con el resto de residuos. De este modo, el reciclaje de los aparatos que organiza el fabricante se realizará en las mejores condiciones posibles conforme a la directiva europea 2002/96/CE sobre los residuos de aparatos eléctricos y electrónicos. Diríjase a su ayuntamiento o a su distribuidor para obtener información sobre los puntos de recogida de aparatos usados más próximos a su domicilio. Le agradecemos su colaboración en la protección del medio ambiente.

PRODUCTO LED DE PRIMERA CLASE

Conocer su acondicionador de vino



Índice

Advertencia.....
Conocer el acondicionador de vino
Antes de su uso
Instalación y puesta en marcha ...
Datos técnicos
Funcionamiento y funciones
Deshielo, limpieza y mantenimiento
Detección de averías
Garantía, piezas de recambio y mantenimiento.....
Eliminación de aparatos usados .

Antes de sus uso

Al recibir compruebe si el aparato ha sufrido algún daño durante el transporte. Si el aparato sufrió algún daño durante el transporte, se informará de ello siempre al distribuidor local antes de ponerlo en servicio.

Quite el embalaje. Limpie con agua tibia y detergente suave la pared del frigorífico. Enjuague con agua limpia, luego séquela bien (ver instrucciones de limpieza). Use un material suave.

Si el aparato fue transportado acostado, o almacenado en ambiente frío (a una temperatura más baja de +5°C), habrá que esperar como mínimo una hora en posición vertical antes de poner en marcha el Instalar y poner en marcha

Colocación

Por razones de seguridad y funcionamiento no se podrá usar el aparato al aire libre.

Se colocará este aparato sobre una superficie plana, en un lugar seco y bien ventilado. Nunca coloque el aparato junto a fuentes de calor como radiador o cocina y evite colocarlo a un lugar expuesto a luz directa del sol.

Temperatura ambiental

La clase climática aparece en la placa con el nombre. La clase climática especifica la temperatura ambiental óptima. En posición de invierno los acondicionadores de vino funcionan aún a 6°C de temperatura ambiental también.

Clase climática	Temperatura ideal en la habitación
aparatoSN.	+10 °C - +32 °C
N	+16 °C - +32 °C
ST	+18 °C - +38 °C
T	+18 °C - +43 °C

Colocación

Se colocará el aparato en una superficie horizontal. No use marco u otra cosa similar.

Se podrá colocar el aparato independientemente junto a la pared también como unidad apoyada al suelo, pero se puede usarlo empotrado en el armario de cocina o alineado junto con otros aparatos también (figuras 2-3)

El aparato visto desde arriba

Si el aparato se coloca junto a una pared, habrá que dejar espacio suficiente para poder abrir la puerta de tal manera que se pueda sacar los estantes. (4 figura).

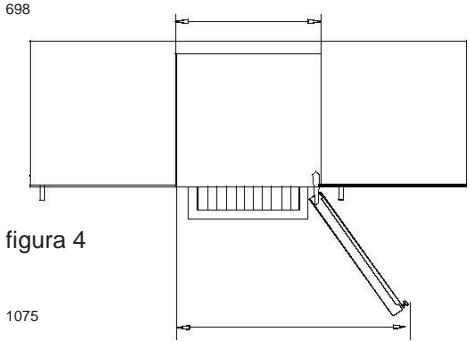


figura 4

Ventilación

Es importante que el aparato esté bien ventilado, por eso tendrá que haber suficiente espacio por encima de él, debajo de él, y junto a él para asegurar que el aire circule.

Las siguientes figuras muestran cómo se puede asegurar la buena ventilación del aparato (figuras 5-6).

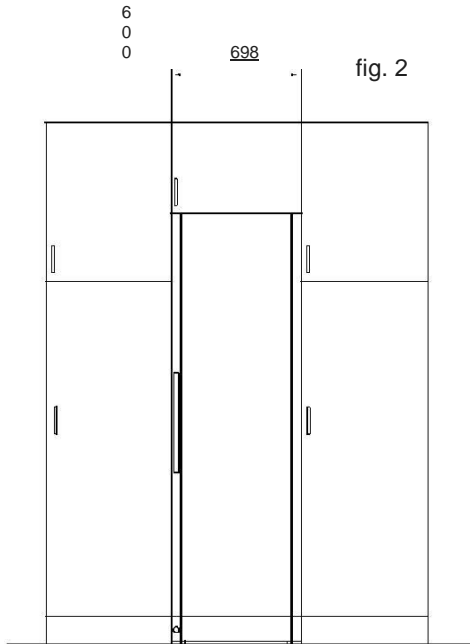


fig. 2

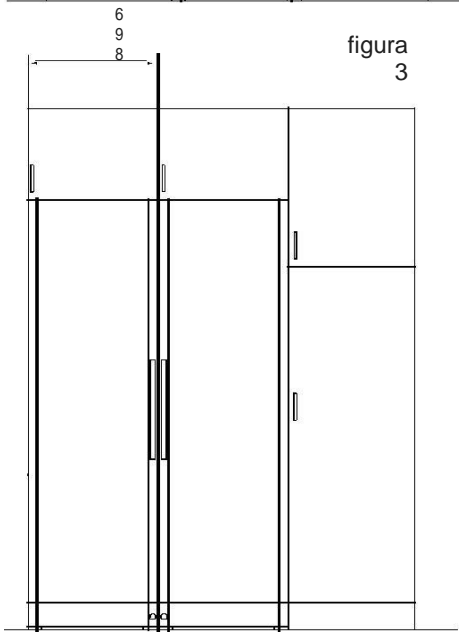
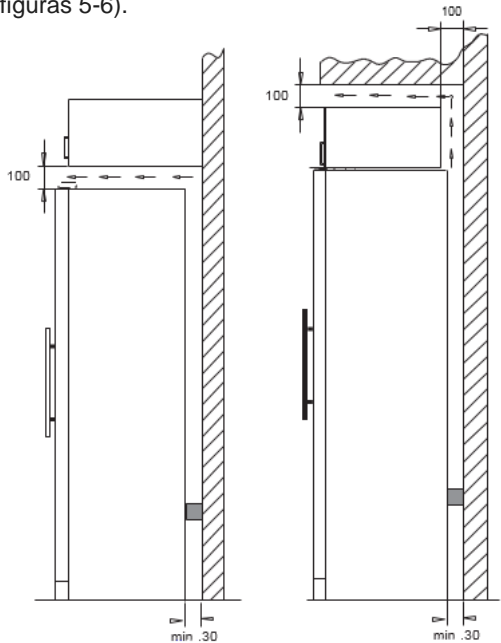


figura 3



Colocación

Es importante que el aparato esté colocado en una superficie absolutamente horizontal. Se puede encontrar la nivelación en la parte delantera del aparato, se podrá hacerlo atornillando el pie ajustable (figura 7). Use un nivel de burbuja para comprobar si el aparato está colocado absolutamente horizontalmente.

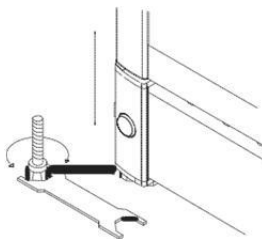
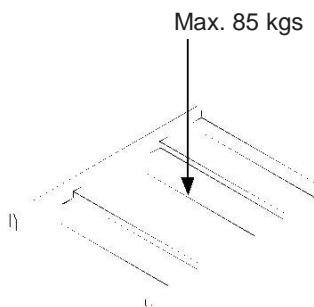


figura 7

Datos técnicos

El aparato cumple con las directivas relacionadas de la UE – incluso la Directiva de Baja Tensión 2006/95/CE y la Directiva de Compatibilidad Electromagnética 2004/108/CE.

La placa de datos proporciona diferentes datos técnicos así como el número de tipo y el número de serie.



Funcionamiento y funciones

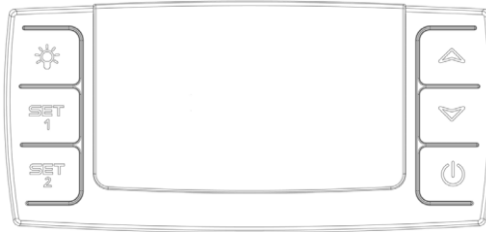


figura 8

Control electrónico

El control electrónico asegura que la temperatura esté bien puesta. Esto se obtiene gracias a un avanzado control del sistema de refrigeración. La temperatura puesta se guardará en caso de un apagón también.

El mando electrónico tiene las siguientes funciones:

- Encender/apagar
- Interruptor de luz
- Ajuste de temperatura
- Indicación de la temperatura
- Alarma en caso de temperatura demasiado alta o baja

Indicador de temperatura:

La pantalla indica la temperatura ajustada. Los dígitos superiores de la pantalla indican el valor ajustado en la parte superior y los dígitos inferiores el valor ajustado en la parte inferior del aparato.

Ajuste de la temperatura:

El termostato tiene una cerradura para evitar el acceso de menores al aparato. Es posible activar esta cerradura pulsando simultáneamente los botones de ARRIBA y ABAJO. Aproximadamente después de 3 segundos comienza a parpadear en la pantalla la inscripción de "PoP". Después de esto, el aparato indicará, en la forma habitual, la temperatura ajustada.

Es posible desactivar la función que impide el acceso de menores pulsando los botones de ARRIBA y ABAJO durante aproximadamente 3 segundos, mientras parpadea la inscripción "Pon" en la pantalla.

Después de esto se puede ajustar la temperatura.

Ajuste de la temperatura en la parte superior del aparato

Pulsar el botón de SET1. Es posible ajustar la temperatura en la parte superior del aparato con los botones de ARRIBA y ABAJO. El rango de temperatura está entre 17 y 19 °C.

Ajuste de la temperatura en la parte inferior del aparato

Pulsar el botón de SET2. Es posible ajustar la temperatura en la parte inferior del aparato con los botones de ARRIBA y ABAJO. El rango de temperatura está entre 7 y 9 °C.

Consejo

Te recomendamos que pongas siempre una brecha de temperatura de 10 ° C entre la parte superior e inferior del aparato.

Funciones de alarma:

El aparato está provisto de sensores de baja y alta temperatura.

Durante la alarma se oye una señal acústica y en la pantalla aparece el código del error.

Alarma de alta temperatura: señal acústica + en la pantalla aparecen el código de error "Hta" y la temperatura actual.


Alarma de alta temperatura: señal acústica + en la pantalla aparecen el código de error "Lta" y la temperatura actual.

La temperatura de alarma depende de las temperaturas ajustadas.

Pulsando cualquier botón se puede desactivar la señal acústica.

Mientras no se elimine la causa del error, se visualizará el código de error de la alarma en la pantalla.

Iluminación

Para encender y apagar la iluminación pulse una vez el botón .

Almacenamiento en varias zonas del aparato

El ajuste del aparato está conforme con la temperatura de servicio de la bebida: en la parte superior hay 17°C y en la parte inferior 7°C. Con estos ajustes de temperatura es posible conseguir las temperaturas, desde la parte inferior hasta la parte superior, que se adaptan a los distintos tipos de bebidas:

Vinos tintos con mucho cuerpo: desde +16°C hasta +19°C

Rosé y tintos más ligeros: desde +12°C hasta 16°C

Vinos blancos: desde +10°C hasta 12°

Sidras y vinos espumosos: desde +8°C hasta +10°C

Se recomienda dejar con algunos grados menos la temperatura de servicio del vino que la temperatura de consumo, dado que el vino se calienta en la copa.

Recomendación

Se recomienda dejar entre la parte inferior y la superior una diferencia de 10°C.

Descongelación, limpieza y mantenimiento

Descongelación automática

El acondicionador de vino descongelará automáticamente. El agua descongelada correrá por el tubo a la bandeja que se encuentra por encima del compresor donde el calor generado por el compresor la hará evaporar. Se limpiará la bandeja de descongelación a intervalos.

Limpieza

Antes de empezar a limpiar el aparato desconecte el cable de alimentación. Se podrá limpiar lo mejor posible el interior del compartimiento usando agua tibia que contiene un detergente suave (max. 65°C). No use detergentes que puedan rascar. Use un paño suave. Enjuague el agua mezclada con detergente y frote con un pañ o seco el interior del frigorífico. El tubo que lleva el agua producida por la condensación está en la pared trasera del frigorífico. Se mantendrá limpio el tubo. Unas veces al año añada unas gotas de desinfectante p.e. Rodalon al tubo de desagüe. Limpie el tubo con limpiador de pipas o algo parecido. No utilice nunca utensilios agudos y afilados.

Limpie regularmente la cinta selladora alrededor de la puerta para prevenir la decoloración y para prolongar la vida útil. Use agua limpia para esto. Después de limpiar la cinta selladora averigüe si sigue sellando bastante fuerte.

Se podrá quitar el polvo que está sobre el condensador en la parte trasera del acondicionador de vino, en el compresor y abajo en el compartimiento del compresor de la manera más simple pasando el aspirador.

Búsqueda de averías

Culpa	Causa posible	Recurso
El aparato no trabajando	El aparato está apagado. Fallo de alimentación; el fusible está fundido; el aparato no está conectado correctamente.	Pulse el interruptor de encendido / apagado. Compruebe que la alimentación está conectada. Restablecer el fusible.
El agua se acumula en la parte inferior del armario.	La tubería de agua de descongelación es bloqueado.	Limpie el canal de agua de deshielo y el agujero de drenaje en la pared posterior del gabinete.
Vibraciones o ruidos molestos.	El aparato no está nivelado. El aparato está descansando contra otros elementos de cocina. Los contenedores o botellas en el interior del gabinete se golpean unos a otros.	Nivele el aparato con un nivel de burbuja. Mueva el aparato lejos de los elementos de cocina o candi- ances está en contacto con. Retire los envases y / o botellas una parte.
El compresor de forma continua.	Alta temperatura ambiente.	Asegurar suficiente ventilación.
P1 se muestra en la monitor.	El sensor superior está desconectado o en cortocircuito.	Llame al servicio técnico. La temperatura dentro de todo el gabinete está contenida miento por el mayor de los dos puntos de ajuste hasta que el fallo haya sido corregido.
P2 se muestra en la pantalla.	El sensor inferior está desconectado o en cortocircuito.	Llame al servicio técnico. La temperatura dentro de todo el gabinete está contenida miento por el mayor de los dos puntos de ajuste hasta que el fallo haya sido corregido.

Garantía, piezas de recambio y servicio

Limitación de Responsabilidad de Garantía

La garantía no cubre los errores y daños ocasionados directa o indirectamente por funcionamiento incorrecto, uso indebido, mantenimiento insuficiente, colocación, instalación incorrectas, puesta en marcha o conexión a la red, incendio, accidente, relámpago, variación de la tensión u otra interferencia eléctrica – incluido fusible defectuoso e instalaciones alimentadas con la red defectuosas, así como las reparaciones realizadas por personal técnico de un servicio no autorizado por la fabricante, y en caso de otros errores y daños cuando la fabricante puede justificar que el defecto o daño no fue ocasionado por error de fabricación o fallo de material.

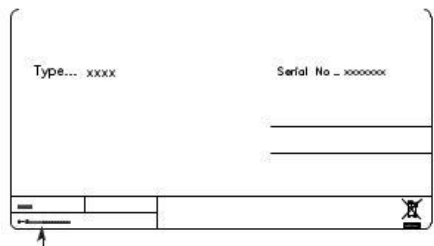
Piezas de recambio

Al encargar piezas de recambio indique, por favor, el tipo, el número de serie y el número de producto de su aparato. La placa de características contiene esta información. La placa de características contiene los diferentes datos técnicos, entre ellos el tipo y los número de orden también.

Tome en cuenta que cualquier cambio de la estructura del aparato o en equipamientos componentes anulará la garantía y la responsabilidad sobre el producto y el aparato no se podrá usar legalmente. Se anulará la autorización en la placa de tipo también

En caso de daños ocasionados por el transporte descubiertos por el comprador en primer lugar el comprador y el distribuidor deberán llegar a un acuerdo, es decir, el distribuidor deberá asegurar que se resuelva la reclamación a plena satisfacción del comprador.

Antes de llamar el servicio técnico, haga el favor de asegurarse, si usted mismo es capaz de rectificar el fallo. Si su petición de asistencia técnica es injustificada, es decir, por ejemplo el aparato se ha averiado por un fusible defectuoso o uso indebido, se cobrarán los gastos ocasionados por la asistencia técnica



Números de product

VIP265V

Désignation	Valeur / Value	Unité / Unit
Marque / Trade mark	LA SOMMELIERE	
Référence du modèle / Model reference	VIP265V	
Catégorie du modèle d'appareil de réfrigération / Category of the household refrigerating appliance model	2	
Classe d'efficacité énergétique / Energy efficiency class	A	
Consommation d'énergie de "179" kWh par an, calculée sur la base du résultat obtenu pour 24 heures dans des conditions d'essai normalisées. La consommation d'énergie réelle dépend des conditions d'utilisation et de l'emplacement de l'appareil. / Energy consumption "179" kWh per year, based on standard test results for 24 hours. Actual energy consumption will depend on how the appliance is used and where it is located.		
Volume utile total / Total storage volume	265 BOUTEILLES	265 BOTTLES
Température de stockage la plus froide / Coldest storage temperature	7°C	
Classe climatique: « N-ST » / Climate class: "N-ST" Cet appareil est conçu pour être utilisé à une température ambiante comprise entre "16" [température la plus basse] °C et "38" [température la plus haute] °C. / This appliance is intended to be used at an ambient temperature between "16" [lowest temperature] °C and "38" [highest temperature] °C		
Émissions acoustiques dans l'air / Airborne acoustical noise emissions	39 db (A)	
Intégrable / Built-in	NO	
«Cet appareil est destiné uniquement au stockage du vin.» / "This appliance is intended to be used exclusively for the storage of wine"		

Catégories d'appareils de réfrigération ménagers	Household refrigerating appliances categories
1. Réfrigérateur comportant un ou plusieurs compartiments de stockage de denrées alimentaires fraîches	1. Refrigerator with one or more fresh-food storage compartments
2. Réfrigérateur avec compartiment cave, cave et appareil de stockage du vin	2. Refrigerator-cellar, Cellar and Wine storage appliances
3. Réfrigérateur avec compartiment pour denrées hautement périssables et réfrigérateur avec compartiment sans étoile	3. Refrigerator-chiller and Refrigerator with a 0-star compartment
4. Réfrigérateur avec compartiment «une étoile»	4. Refrigerator with a one-star compartment
5. Réfrigérateur avec compartiment «deux étoiles»	5. Refrigerator with a two-star compartment
6. Réfrigérateur avec compartiment «trois étoiles»	6. Refrigerator with a three-star compartment
7. Réfrigérateur-congélateur	7. Refrigerator-freezer
8. Congélateur armoire	8. Upright freezer
9. Congélateur coffre	9. Chest freezer
10.Appareils de réfrigération polyvalents et de type autre	10. Multi-use and other refrigerating appliances

VIP315V

Désignation	Valeur / Value	Unité / Unit
Marque / Trade mark	LA SOMMELIERE	
Référence du modèle / Model reference	VIP315V	
Catégorie du modèle d'appareil de réfrigération / Category of the household refrigerating appliance model	2	
Classe d'efficacité énergétique / Energy efficiency class	A	
Consommation d'énergie de "186" kWh par an, calculée sur la base du résultat obtenu pour 24 heures dans des conditions d'essai normalisées. La consommation d'énergie réelle dépend des conditions d'utilisation et de l'emplacement de l'appareil. / Energy consumption "186" kWh per year, based on standard test results for 24 hours. Actual energy consumption will depend on how the appliance is used and where it is located.		
Volume utile total / Total storage volume	325 BOUTEILLES	325 BOTTLES
Température de stockage la plus froide / Coldest storage temperature	7°C	
Classe climatique: « N-ST » / Climate class: "N-ST" Cet appareil est conçu pour être utilisé à une température ambiante comprise entre "16" [température la plus basse] °C et "38" [température la plus haute] °C. / This appliance is intended to be used at an ambient temperature between "16" [lowest temperature] °C and "38" [highest temperature] °C		
Émissions acoustiques dans l'air / Airborne acoustical noise emissions	39 db (A)	
Intégrable / Built-in	NO	
«Cet appareil est destiné uniquement au stockage du vin.» / "This appliance is intended to be used exclusively for the storage of wine"		

Catégories d'appareils de réfrigération ménagers	Household refrigerating appliances categories
1. Réfrigérateur comportant un ou plusieurs compartiments de stockage de denrées alimentaires fraîches	1. Refrigerator with one or more fresh-food storage compartments
2. Réfrigérateur avec compartiment cave, cave et appareil de stockage du vin	2. Refrigerator-cellar, Cellar and Wine storage appliances
3. Réfrigérateur avec compartiment pour denrées hautement périssables et réfrigérateur avec compartiment sans étoile	3. Refrigerator-chiller and Refrigerator with a 0-star compartment
4. Réfrigérateur avec compartiment «une étoile»	4. Refrigerator with a one-star compartment
5. Réfrigérateur avec compartiment «deux étoiles»	5. Refrigerator with a two-star compartment
6. Réfrigérateur avec compartiment «trois étoiles»	6. Refrigerator with a three-star compartment
7. Réfrigérateur-congélateur	7. Refrigerator-freezer
8. Congélateur armoire	8. Upright freezer
9. Congélateur coffre	9. Chest freezer
10. Appareils de réfrigération polyvalents et de type autre	10. Multi-use and other refrigerating appliances

LA SOMMELIERE
 143 boulevard Pierre Lefauchaux
 72230 ARNAGE (France)

